

3-Phase Line Reactors BL-362 | Upto 250 KW

General Details

BLA ETECH's 3-phase line reactors help reduce mains disturbances, limit inrush currents, and enhance power quality.

Designed for up to 250 kW applications, these reactors ensure reliability and efficiency in industrial motor drives and automation systems.

Typical Applications and Features

- Industrial Automation, Proccs Automation & motor drives
- Protects motor drives and DC link capacitors
- Limits inrush and peak currents.

Technical Characteristics

Maximum Continuous Operating Voltage	3x450 to 760 VAC
Nominal Operating Voltage	3x500 to 690 VAC
Rated Current Range	1.52 A to 277 A @ 45°C
Overload Capability	1.6x rated current for 1 minute, once per hour
Impedence	2% @ 690 V, 50 Hz and rated RMS current
High Potential Test Voltage	P -> P 3030 VAC, 1 s / P -> E 3030 VAC, 1 s
Overload Category	OV III (IEC 60664-1 / UL 61800-5-1)
Pollution Degree	PD3
Temperature Range	-40°C to +100°C
Insulation Class	UL Electrical Insulation System SCH-200(N)
Flammability	UL 94 V-2



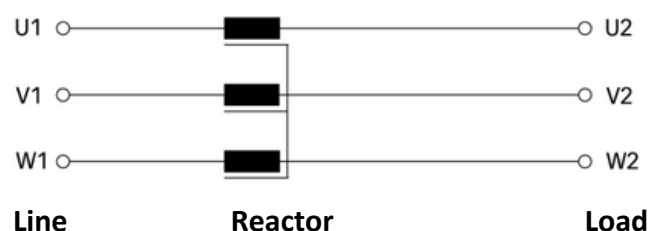
OUR CERTIFICATIONS



Terminals

Model	Terminal Size	Recommended Torque(Nm)
BL-362 (1.5 to 10)	M3	0.6
BL-362 (15 to 30)	M4	1.7
BL-362 (41 to 100)	M6	4.0
BL-362 (120 to 150)	M8	9.0

Electrical Schematic



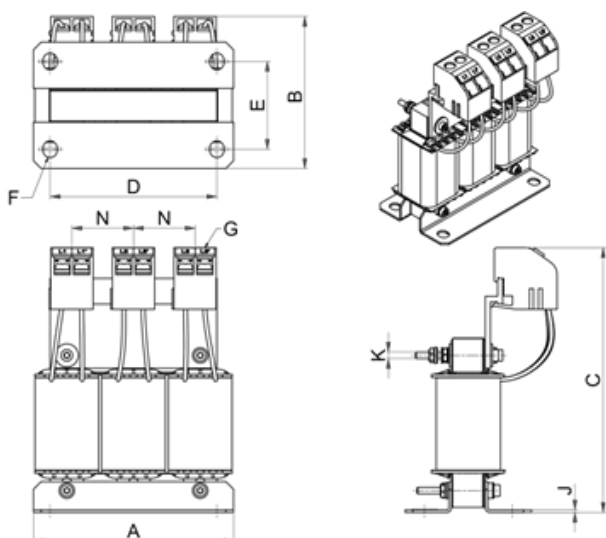
3-Phase Line Reactors BL-362 | Upto 250 KW

Electrical Rating Power

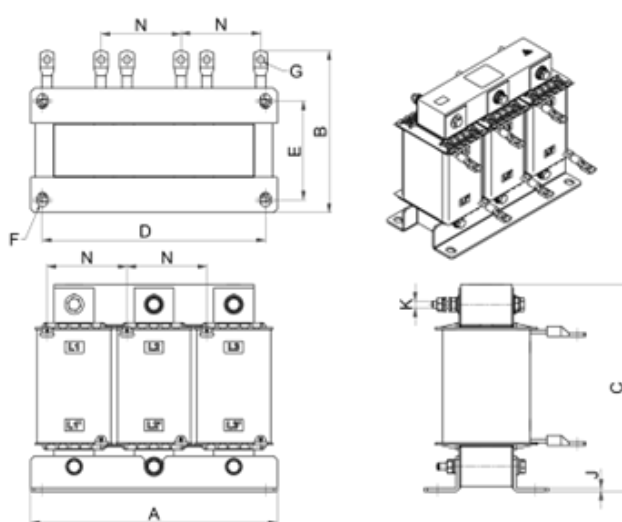
Models	Currents(A)	Power@690V	Power@600V	Inductance(mH)	Power loss(W)	Weights(kg)
BL-362-1.5A	1.52	1.6	1.9	16.7	23	0.49
BL-362-3A	3.04	3.1	3.6	8.3	32	0.89
BL-362-5.5A	5.53	5.7	6.6	4.6	47	1.2
BL-362-7.5A	7.61	7.9	9.2	.3.3	61	1.7
BL-362-10A	10.4	11	12.8	2.44	69	2.4
BL-362-15A	15.2	16	18.7	1.67	103	3.4
BL-362-21A	20.7	21	24.5	1.22	106	4.9
BL-362-26A	25.6	26	30.3	0.99	124	5.1
BL-362-30A	30.4	31	36	0.83	151	5.4
BL-362-41A	41.5	43	50	0.61	172	8.8
BL-362-51A	51.2	53	62	0.50	206	10.2
BL-362-62A	62.2	64	75	0.41	294	10.3
BL-362-76A	76.1	79	92	0.33	257	11.4
BL-362-100A	104	108	126	0.24	324	13.8
BL-362-120A	124	128	149	0.20	399	15.7
BL-362-150A	152	157	183	0.17	456	20.0
BL-362-180A	183	189	220	0.14	553	24.5
BL-362-220A	221	228	266	0.11	593	27.5

Mechanical Data

1.5 to to 21A

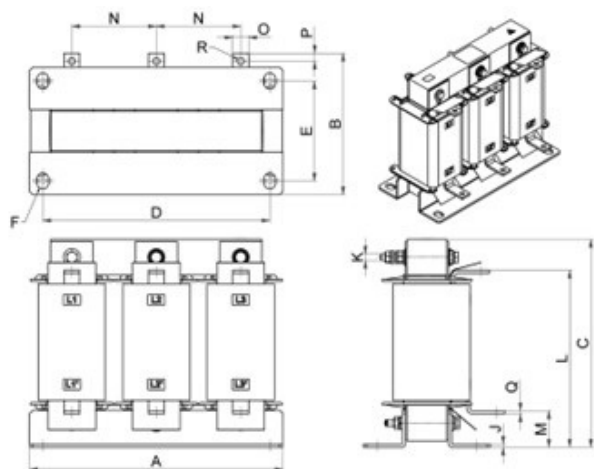


26 to 51A

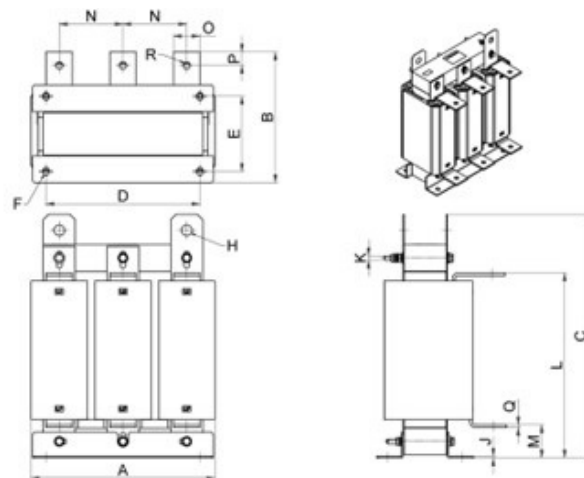


3-Phase Line Reactors BL-362 | Upto 250 KW

62 to 150A



180 to 870A



Mechanical Dimensions(in mm)

BL-362	A	B	C	D	E	F	G	H	J	K	L
1.5	78	59	103.1	65	34.2	6.5*5.5	-88	-	1	M2.5	-
3	96	62.5	117.9	77	37.5	6.5*5.5	-88	-	1.5	M3	-
5.5	125	69	136.1	110	44.8	8*5.5	-88	-	2	M3	-
7.5	125	69	136.8	110	44.8	8*5.5	-88	-	2	M3	-
10	125	78.5	136.4	110	54.5	8*5.5	-88	-	2	M3	-
15	155	79	159.7	130	56.1	12*9	-89	-	2.5	M4	-
21	155	94	159	130	71	12*9	-89	-	2.5	M4	-
26	155	128	132	130	71	12*9	6.4	-	2.5	M4	-
30	155	128	132.7	130	71	12*9	6.4	-	3	M4	-
41	190	140	156.6	170	77.5	12*9	6.4	-	3	M6	-
51	210	143	176	190	84	12*9	6.4	-	3	M6	-
62	230	122.7	191	210	77.5	12*9	-	-	3	M6	30
76	240	133.9	196.7	215	94.5	15*11	-	-	3	M6	34.5
100	240	152.3	196.7	215	104.5	15*11	-	-	3	M6	34.5
120	265	148.9	217.5	240	99.7	15*11	-	-	3	M8	39
150	291	171.1	235	260	117.5	15*11	-	-	3	M8	39.5
180	290	189.4	234.2	260	131	15*11	-	n/a	3	M8	42.7
220	290	194.6	287.2	260	136	15*11	-	20	3	M8	42.2
280	340	198.9	333.5	290	121	15*11	-	20	3	M8	42.2