

3-Phase Line Reactor BL-304 | Upto 250 A

General Details

The BL-304 3-Phase Line Reactor is designed to reduce mains disturbances in 400V networks.

It effectively limits inrush currents, minimizes harmonics, and enhances power quality for industrial applications.

Technical Characteristics



Type	Three-Phase Inductor with Phase-Separate Winding
Configuration	Phase-separate winding for efficient performance
Voltage Range	3x340 to 530 VAC (Nominal: 3x380 to 480 VAC)
Current Ratings	1.76A to 640A @ 45°C
Overload Capability	1.6x rated current (1 min/hour)
Impedance	4% @ 400V, 50Hz
High Potential Test Voltage	3030 VAC (1s)
Earth System	TN, TT, IT
Overload Capacity	OV III (IEC 60664-1 / UL 61800-5-1)
Pollution Degree	PD3
Temperature Range	-40°C to +100°C

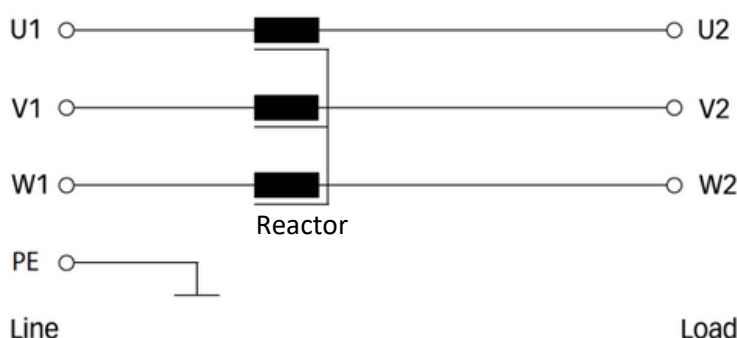
Terminals

- Terminal block with screw connections
- Free terminals with cable lug support

Typical Applications and Features

- **Industrial Automation** (HVAC, robotics, machinery, and process automation equipment).
- **Motor Drives** and **Adjustable Speed Drive Systems**.
- Enhances **reliability** and **lifespan** of electrical equipment.
- Protects **motor drive electronics** from transients.
- Limits **inrush** and **peak currents**.
- Prevents **nuisance tripping** due to voltage spikes.

Electrical Schematic



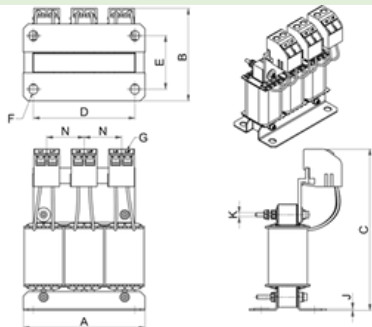
3-Phase Line Reactor BL-304 | Upto 250 A

Electrical Rating Power

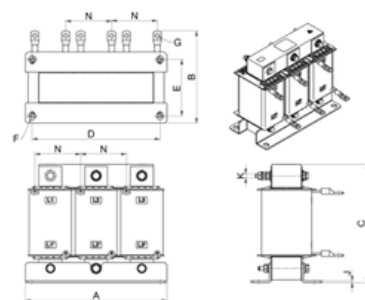
Model	Current (A)	Power@400V (kW)	Power@480V (kW)	Inductance (mH)	Weight (kg)
BL-304-2A	1.76	1.1	1.1	16.7	2.1
BL-304-6A	6.42	4	5.5	4.6	2.6
BL-304-9A	8.82	5.5	7.5	3.3	3.7
BL-304-12A	12.0	7.5	11	2.44	5.3
BL-304-18A	17.6	11	15	1.67	7.5
BL-304-24A	24.1	15	19	1.22	10.8
BL-304-35A	35.3	22	30	0.83	11.9
BL-304-48A	48.1	30	37	0.61	19.4
BL-304-72A	72.2	45	55	0.41	22.7
BL-304-88A	88.2	55	75	0.33	25.1
BL-304-120A	120	75	90	0.24	30.4
BL-304-140A	144	90	110	0.20	34.6
BL-304-180A	176	110	132	0.17	44.1
BL-304-210A	212	132	160	0.14	54.0
BL-304-240A	240	150	180	0.12	60.6

Mechanical Data

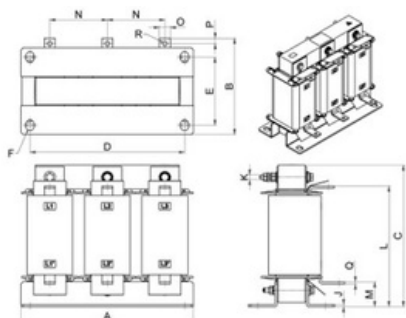
1.5 to to 21A



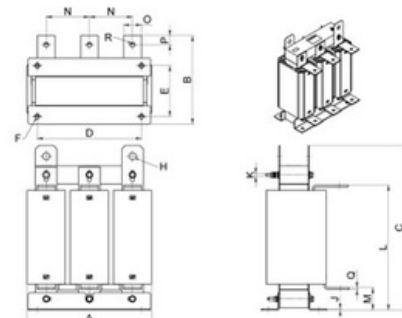
26 to 51A



180 to 870A



180 to 870A



3-Phase Line Reactor BL-304

Mechanical Dimension

Model	A	B	C	D	E	F	G	H	J	K	L	M	N	O	P
2A	78	59	103.1	65	34.2	6.5*5.5	-88	1	M2.5	24±1	-	-	-	-	-
3.5A	96	62.5	117.9	77	37.5	6.5*5.5	-88	1.5	M3	31±1	-	-	-	-	-
6.5A	125	69	136.1	110	44.8	8*5.5	-88	2	M3	41.5±1	-	-	-	-	-
12A	125	78.5	136.4	110	54.5	8*5.5	-88	2	M3	41.5±1	-	-	-	-	-
18A	155	79	159.7	130	56.1	12*9	-89	2.5	M4	50±1	-	-	-	-	-
30A	155	128	132	130	71	12*9	6.4	2.5	M4	50±4	-	-	-	-	-
48A	190	140	156.6	170	77.5	12*9	6.4	2.5	M6	60±4	-	-	-	-	-
72A	230	122.7	191	210	77.5	12*9	2.5	M6	163	30	76±4	15	7.5	3	6.6
120A	240	152.3	196.7	215	104.5	15*11	3	M6	168.5	34.5	80±4	20	10	4	9
180A	291	171.1	235	260	117.5	15*11	3	M8	198.5	39.5	96±4	25	12.5	4	11
260A	290	194.6	287.2	260	136	15*11	20	3	M8	206.2	42.2	100	25	12.5	4