

THREE PHASE LINE REACTORS FOR SOLAR

LINE REACTORS FOR THREE- PHASE SUPPLIES

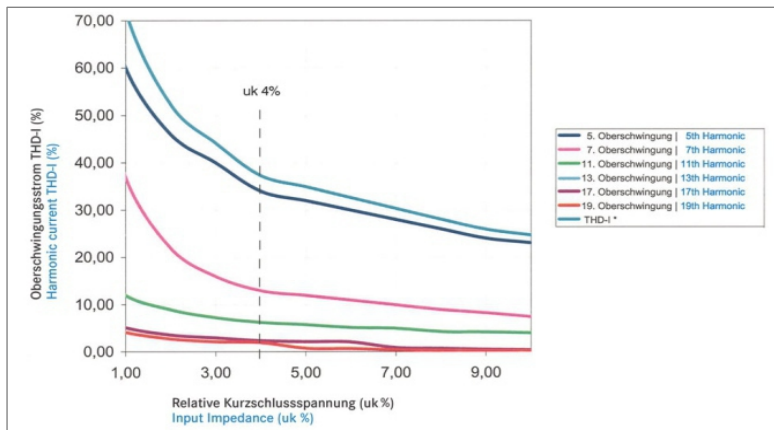
- Current ratings from 2A to 100A
- Limitation of harmonics
- Suitable for unchoked compensation systems
- Enhancement of the interference immunity
- Reduction of voltage drops
- Suitable for line-operating motors



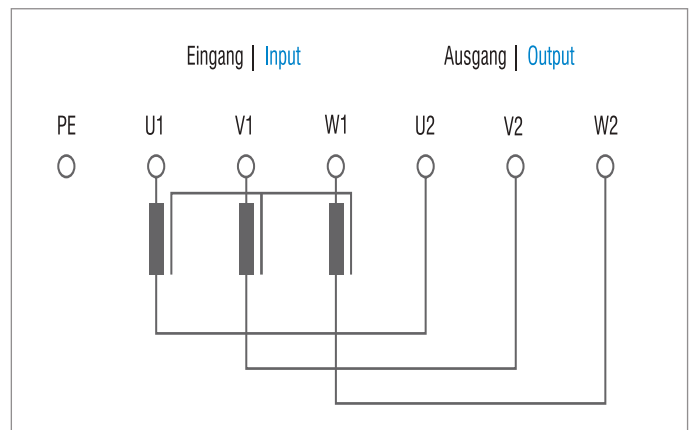
FEATURES:

- Organic silicone potting, soft material, good shock absorption and protection effect.
- The physical and chemical properties are stable.
- High temperature and low temperature resistance.
- Excellent electrical performance and insulation ability, long service life.
- The soft potting compound is easy to take out.

Reduction of Harmonics depending on input impedance



Connection



Application:

Solar inverter, Wind inverter, PFC filter, Choke coils, EV inverter, ABS system for car, Car Generators, Inverter air conditioners, etc.

Three-phase Line Reactors R3NS

Technical Specifications:

Core: Sandust core*5
 Inductance: 0.4mH
 Rated current: 80A
 Copper wire: $\Phi 1.5\text{mm} \times 14$
 Winding: 1 start, 2 finish
 Insulation system: Class B 130°C
 Storage temperature: -40°C ~80°C
 Operation temperature: -40°C ~130°C
 OCL: pins(1-2)=0.4mH $\pm 10\%$ @1kHz, 0.1v
 DCR: pins(1-2)=15.0m Ω MAX
 Hipot: WDG to CASE 1.5kVac 60Hz 60Seconds 3mA MAX, No flashover
 Layer insulation: 1.0kVac no flashover
 Electrical and mechanical specifications 100% tested
 CE, RoHS compliant compatible

Mechanical Dimensions (mm) :

