

Multi Stage High Performance EMI Filter

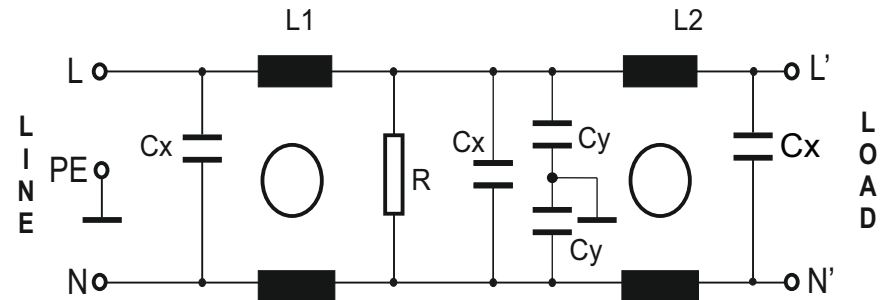


- Rated current from 5 to 20 A
- Multi stage filter
- High common & differential mode performance
- Optional medical version (Type B)
- Optional safety version (Type A)

Approvals:

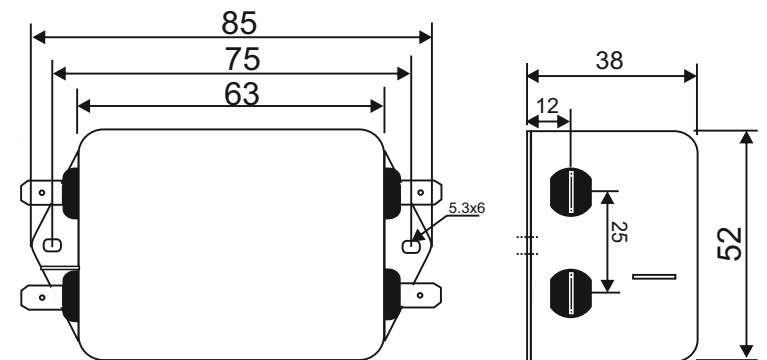


1 CIRCUIT DIAGRAM:



2 MECHANICAL DIMENSION (mm):

CONNECTION TYPE -F
5A to 20A



NOTE:

All Dimension in mm
Connection type F-Fast On Terminal(6.3x0.8)
S-Screw (M4)

Technical specifications

Maximum continuous operating voltage: 250VAC, 50/60Hz
 Operating frequency: DC to 400Hz
 Rated currents: 5 to 20A @ 40°C max.
 High potential test voltage: L → PE 2250VDC for 2 sec (standard types)
 L → PE 3500VDC for 2 sec (B types)
 L → N 1450VDC for 2 sec
 Temperature range (operation and storage): -25°C to +85°C (25/100/21)
 Design corresponding to: UL 1283.

Typical Application

- Electrical and electronic equipment
- Consumer goods
- Household equipment
- Medical equipment
- Electronic data processing equipment
- Office automation and datacom equipment
- Industrial application
- Machinery
- Various noisy application requires good attenuation performance filter

3 FILTER SELECTION TABLE

PART NO	RATED CURRENT @40°C	LEKAGE CURRENT 250VAC,50Hz	INDUCTANCE L (mH)	CAPACITANCE Cx (uF)	CAPACITANCE Cy (nF)	CONNETION TYPE
BL2660-05-F	5	0.8 mA	10	300	6.6	FASTON
BL2660-10-F	10	0.8 mA	2.4	300	6.6	FASTON
BL2660-15-F	15	0.8 mA	1.8	300	6.6	FASTON
BL2660-20-F	20	0.8 mA	1	300	6.6	FASTON

4 INSERTION LOSS (CM-COMMON MODE VS DM- DIFFERENTIAL MODE)

PART NO	CURRENT RATING	FREQUENCY (MHz)	0.1	0.5	1.0	5.0	10.0	30.0
BL2660-05-F	5A	CM(dB)	52	84	70	58	53	51
		DM(dB)	7	57	58	57	52	48
BL2660-10-F	10A	CM(dB)	26	63	76	66	62	42
		DM(dB)	5	77	72	62	57	53
BL2660-15-F	15A	CM(dB)	28	57	68	67	63	46
		DM(dB)	10	33	60	59	56	61
BL2660-20-F	20A	CM(dB)	12	39	49	63	59	38
		DM(dB)	11	25	57	64	57	45