

Compact EMI/RFI Filter for Furnace, Motor drives Large Machines Application

Feature and Benefits

- The extremely compact and slim filter design allows a trouble-free installation even where the available mounting space is minimal
- With new additional filter types providing safety terminal blocks, the most preferred connection style can be chosen fast and easy. This helps to stay in line with the electrical connection concept of a given application
- BL370 filters ensure compliance with Class C1 limits according to EN 61800-3 up to 50 m cable length and beyond. Further they can contribute significantly to meet conducted emission limits according to Class C2
- Filter operation on the mains input side of consumers increases their reliability and conducted immunity significant
- Chokes with exceptional saturation resistance and excellent thermal behavior are a vital part of BL370 design. Thus, all filters retain the expected filter performance even in very noisy applications and under full load conditions

Technical specifications

Maximum continuous operating voltage	3x480/277 VAC, 50/60Hz
Operating Frequency	50/60Hz
Rated Currents	7 to 180A @50°C
High Potential Test voltage	L-GND 2650 VDC for 2 sec (BL370) L-GND 2750 VDC for 2 sec (BL370H) L - L 2250 VDC for 2 sec
Temperature range (operation and storage)	-25°C to +100°C (25/100/21)
Certified to	UL 1283, EC/EN60939 (Applies to AC and DC Applications)
Flammability Corresponding to	UL 94V-2 better
Protection Category	IP 20
Overload Capability	1.5x Rated Current for 60 sec, once/hour

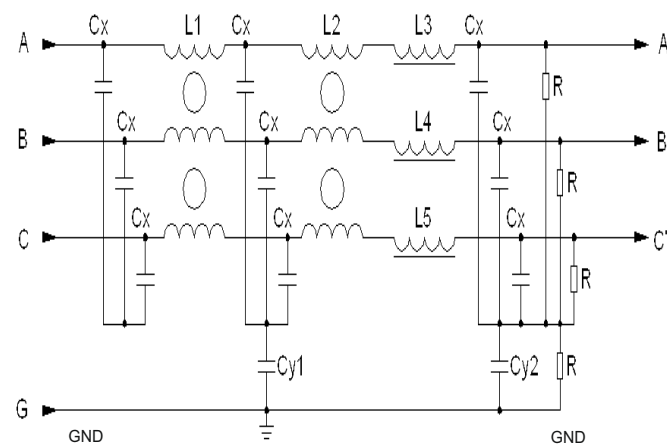
- New solid safety connector blocks available for the whole range
- Exceptional attenuation performance from 150 kHz to 30 MHz
- Excellent saturation resistance up to 50 m cable length
- Most compact and slim filter design in fit with class C1 & C2 limit

Typical Application

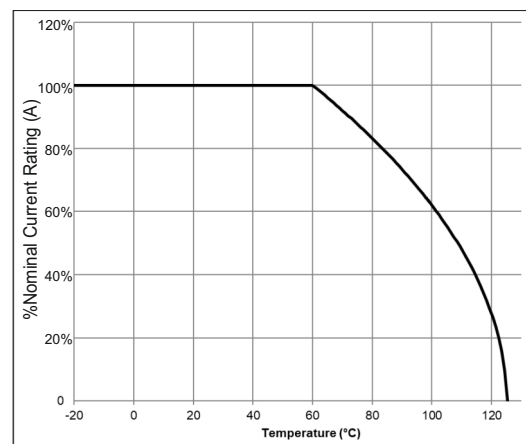
- Three-phase variable speed motor drives, servo drives, inverters and converters
- Applications comprising energy conversion devices like machines or process automation equipment
- HVAC equipment, elevators, power supplies, UPS, Furnace and further three-phase applications




ELECTRICAL SCHEMATIC



Temperature Derating Curve for EMC Filters Rated at 50°C Ambient and 100°C Maximum



FILTER SELECTION TABLE

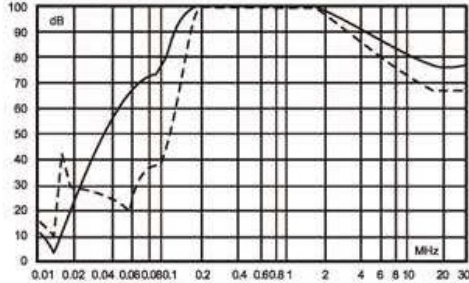
Filters**	Rated current @50°C (40°C)	Leakage current @480VAC/50Hz	Typical drive Power Rating	Power Loss @25°C/50Hz	Connetion type Input/Output	Weight
	A	mA	kW	W		Kg
BL370-7-T	7(7.7)	4.3	4	3.8	T	0.5
BL370-16-T	16(17.5)	4.3	7.5	6.1	T	0.8
BL370-30-T	30(32.9)	4.3	15	11.8	T	1.2
BL370-42-T	42(46.0)	4.3	22	15.8	T	1.4
BL370-55-T	55(60.2)	4.3	30	26	T	2.2
BL370-75-T	75(82.2)	4.3	37	32	T	2.7
BL370-100-T	100(109.5)	4.3	55	34.5	T	4.3
BL370-130-T	130(142.4)	4.3	75	43	T	4.5
BL370-180-T	180(197.1)	4.3	90	58.3	T	6.0
BL370-250-B	250(248.5)	4.7	4	3.8	T	9.5
BL370-320-B	320(320.5)	4.7	7.5	6.1	T	12.8
BL370-380-B	380(378.9)	4.7	18.5	11.8	T	13.2
BL370-450-B	450(458.0)	4.7	22	15.8	T	13.4
BL370-500-B	500(499.2)	4.7	37	26	T	14.2
BL370-600-B	600(600.2)	4.7	45	32	T	14.7
BL370-800-B	800(799.5)	4.7	55	34.5	T	15.3
BL370-1000-B	1000(998.4)	4.7	75	43	T	16.5
BL370-1200-B	1200(1197.1)	4.7	110	58.3	T	20.0

* Calculated at rated current, 440 VAC (BL370)/480 VAC (BL370H) and $\cos \phi=0.8$. The exact value depends upon the efficiency of the drive, the motor and the entire application.

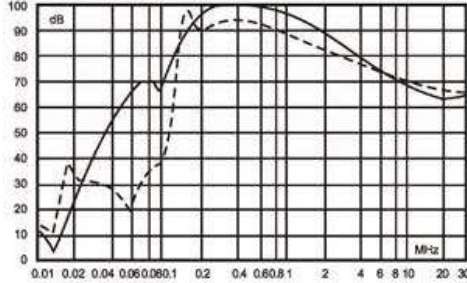
** Standardized calculated leakage current acc. IEC60939 under normal operating conditions (BL370 at 480 VAC and BL370H at 520 VAC).

TYPICAL INSERTION LOSS, dB (50/50 Ohm)

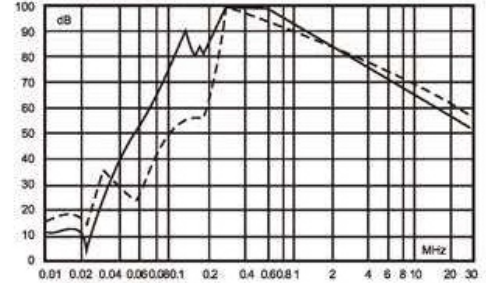
7 A type



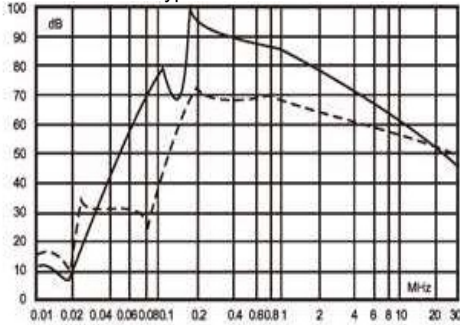
16 A type



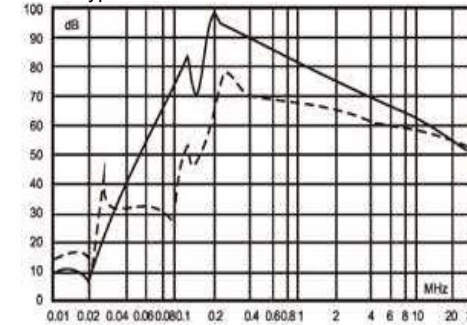
30 A type



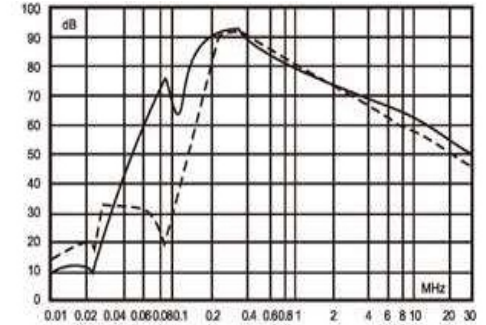
42 A type



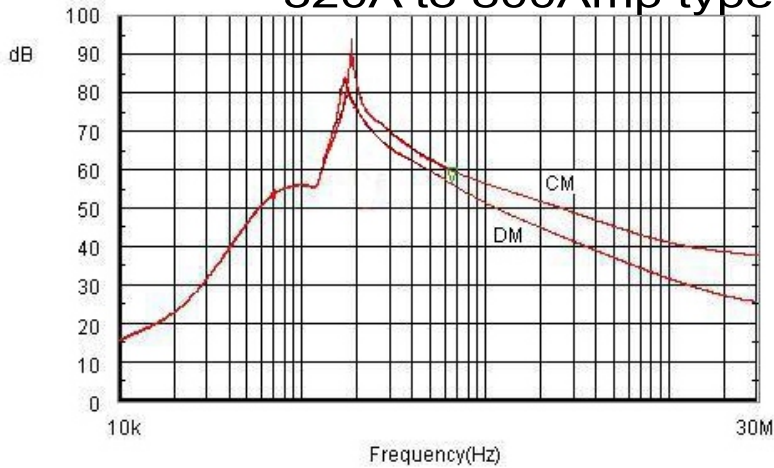
55 A type



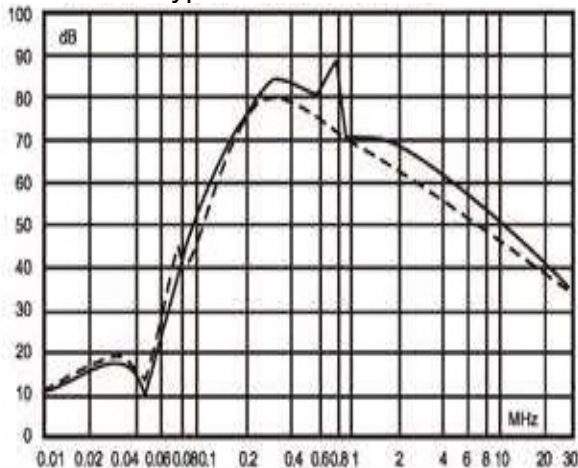
75 to 250 Amp type



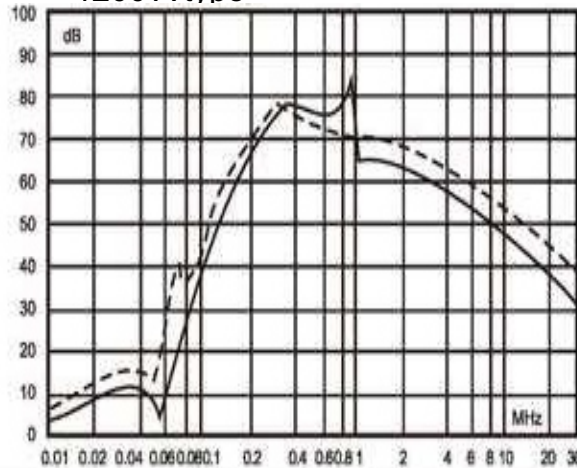
320A to 800Amp type



1000 A type



1200 A type



Insertion Loss:

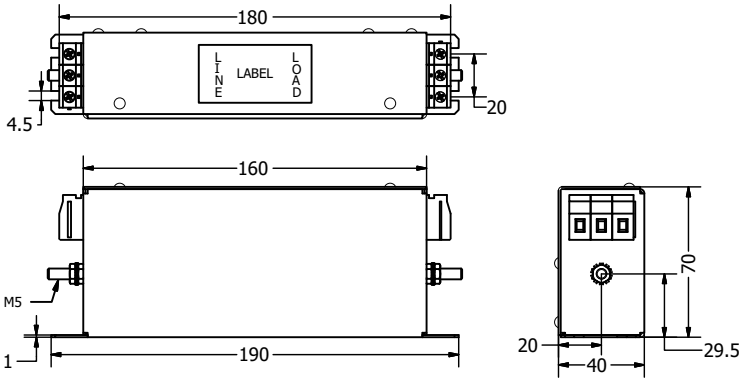
Common mode -

—————

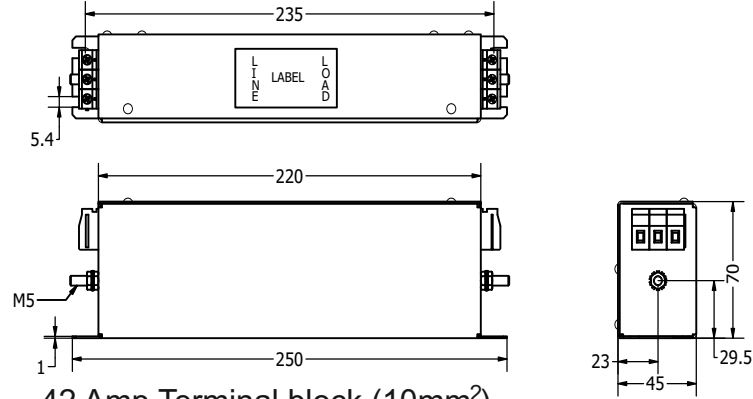
Differential mode-

MECHANICAL DETAILS

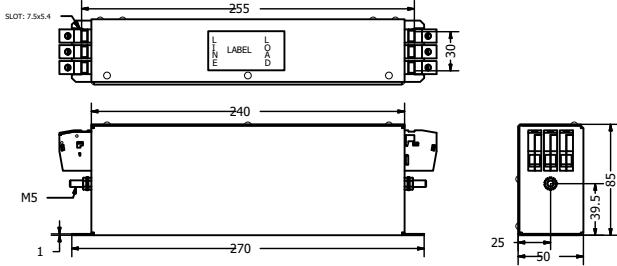
7 Amp Terminal block (10mm²)



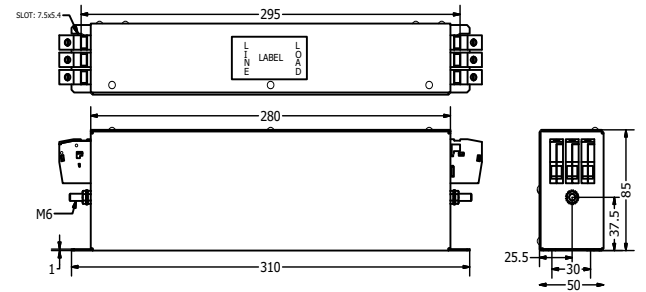
16 Amp Terminal block (10mm²)



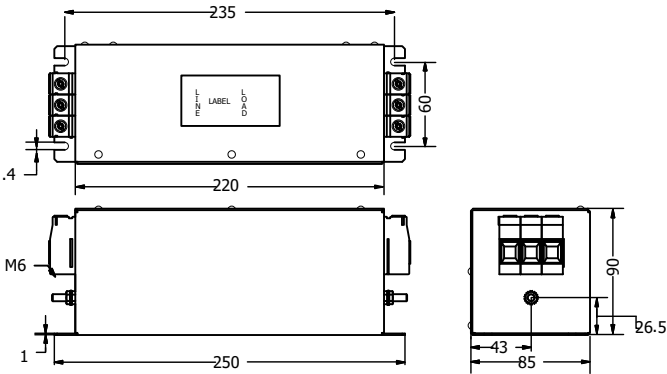
30 Amp Terminal block (10mm²)



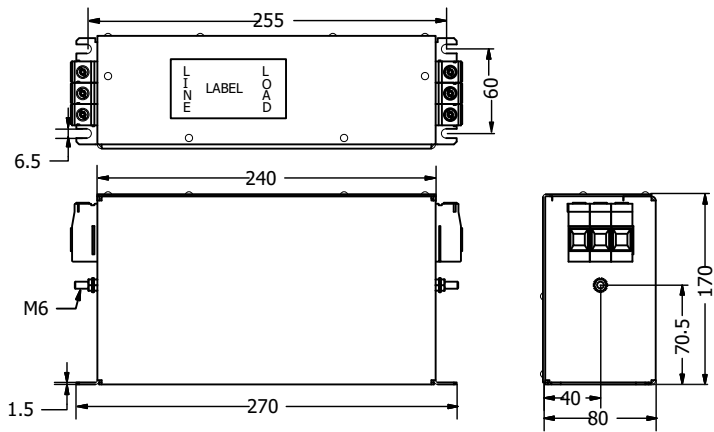
42 Amp Terminal block (10mm²)



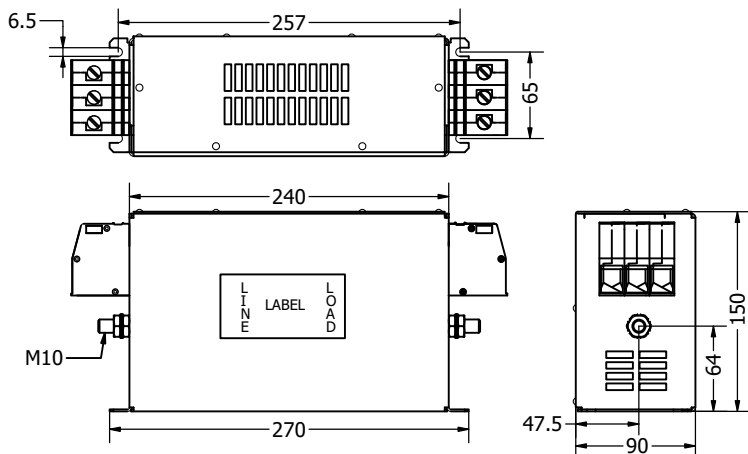
55 Amp Terminal block (25mm²)



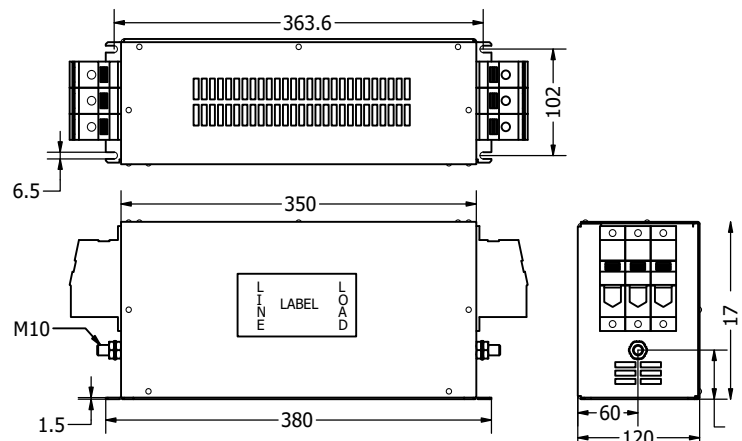
75 Amp Terminal block (25mm²)



100 & 130Amp Terminal block (50mm²)

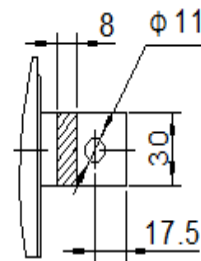
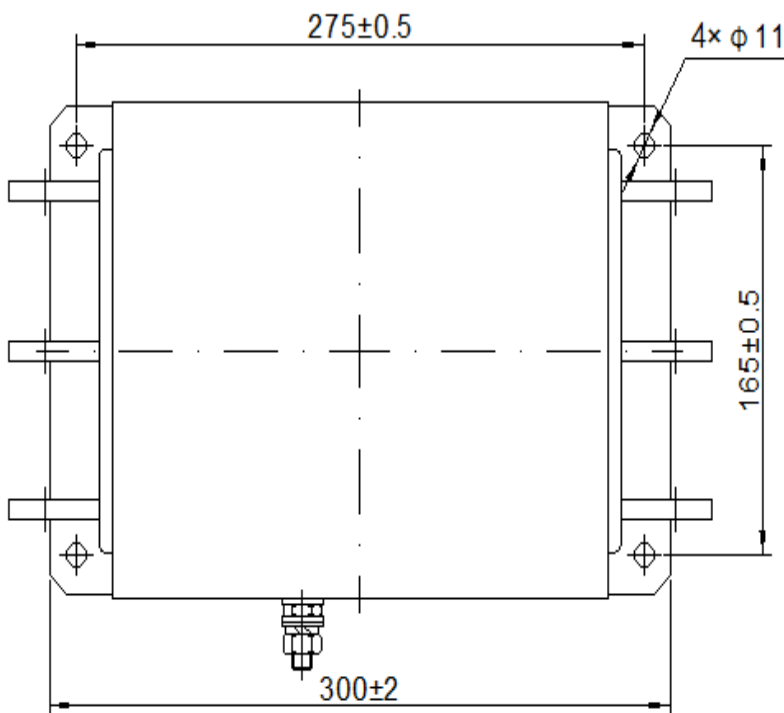
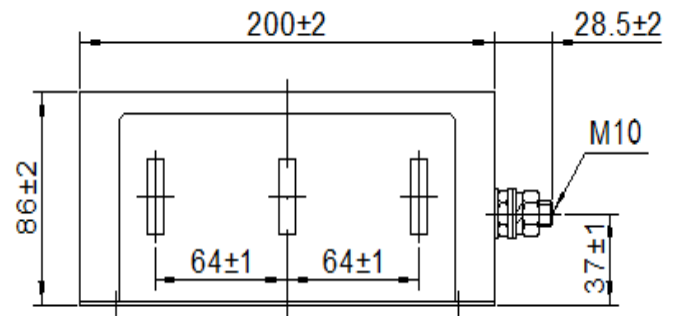
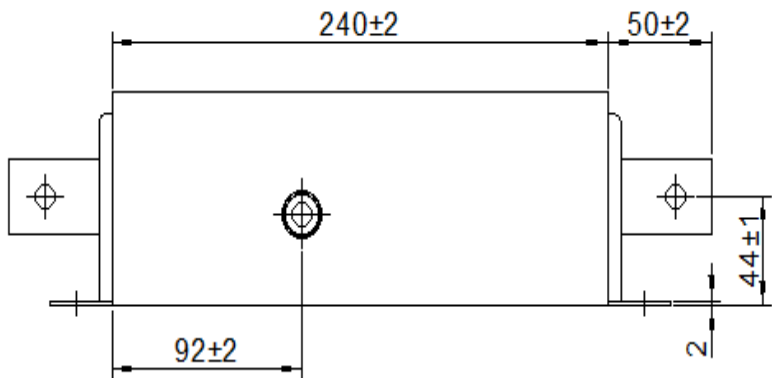


180Amp Terminal block (95mm²)



MECHANICAL DETAILS

250 to 800 Amp Busbar Type Products



**All Dimension are in mm