

## Single-Stage General Performance AC/DC EMI FILTER

### Feature and Benefits

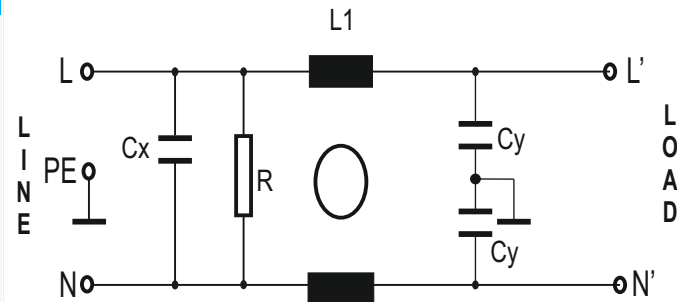
- BL 2611 Single-stage filters are designed for easy and fast chassis mounting.
- The BL 2611 filters are also available as B versions with no Y-capacitors for medical applications as well as A versions with low capacitance for safety critical applications with a requirement for low leakage currents.
- The BL 2611 Filter can be use to cover broad range of uses and they can offer a good size/amperages ratio
- Various terminal options allow you to select the desired connection style
- Rated current from 1 to 10 A
- High deferential mode performance
- Single stage filter with good attenuation Performance.
- Optional medical version (Type B)
- Optional safety version (Type A)



### Technical specifications

Maximum continuous operating voltage	250VAC, 50/60Hz
Operating Frequency	DC to 400Hz
Rated Currents	1 to 10A @40°C
High Potential Test voltage	L-GND 2550 VDC for 2 sec L-GND 3500 VDC for 2 sec (B types) L - N 1100 VDC for 2 sec
Temperature range (operation and storage)	-25°C to +100°C (25/100/21)
Certified to	UL 1283, EC/EN60939 (Applies to AC and DC Applications)
Flammability Corresponding to	UL 94V-2 better

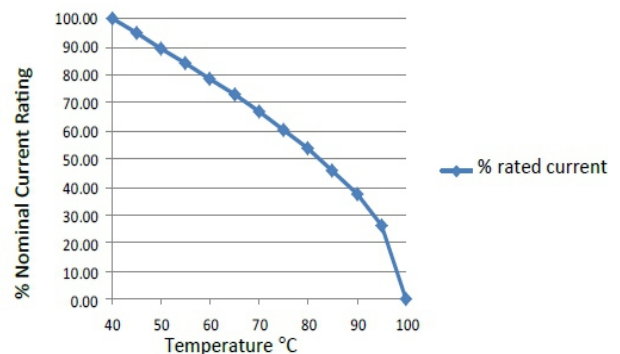
### ELECTRICAL SCHEMATIC



### Typical Application

- Electrical and electronic equipment
- Consumer goods/Industrial Application
- Machinery & Building Automation
- Medical equipment
- Electronic data processing equipment
- Office automation and datacom equipment
- Vending Machine

Temperature Derating Curve for EMC Filters Rated at 40°C Ambient and 100°C Maximum



## FILTER SELECTION TABLE

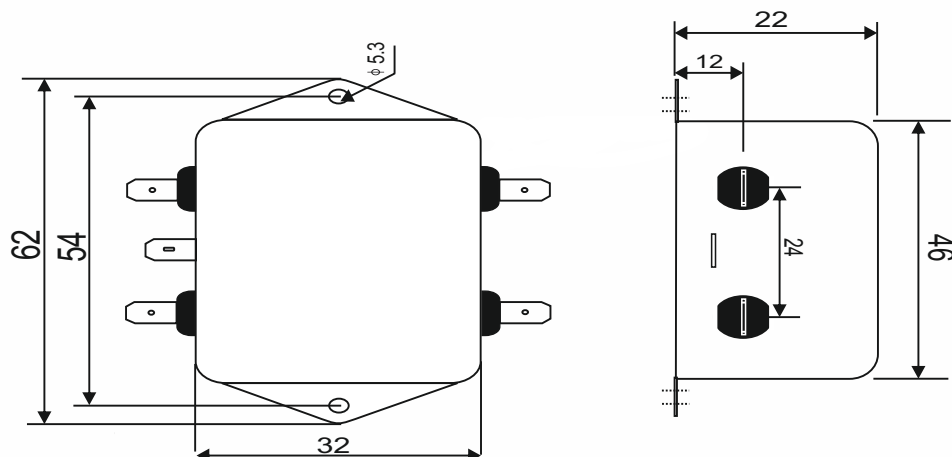
PART NO	RATED CURRENT @40°C	LEKAGE CURRENT 250VAC,50Hz	INDUCTANCE L (mH)	CAPACITANCE Cx (uF)	CAPACITANCE Cy (nF)	CONNCTION TYPE
BL2611-01-F	1	0.8 mA	3.7	100	6.6	FASTON
BL2611-03-F	3	0.8 mA	1.8	100	6.6	FASTON
BL2611-06-F	6	0.8 mA	0.7	100	6.6	FASTON
BL2611-10-F	10	0.8 mA	0.3	100	6.6	FASTON

## INSERTION LOSS (CM-COMMON MODE VS DM- DIFFERENTIAL MODE)

PART NO	CURRENT RATING	FREQUENCY (MHz)	0.1	0.5	1.0	5.0	10.0	30.0
BL2611-01-F	1A	CM(dB)	26	35	38	41	41	37
		DM(dB)	9	19	24	47	47	36
BL2611-03-F	3A	CM(dB)	21	27	32	39	39	42
		DM(dB)	8	19	25	41	39	34
BL2611-06-F	6A	CM(dB)	13	22	27	39	46	35
		DM(dB)	3	10	15	36	36	30
BL2611-10-F	10A	CM(dB)	7	16	21	35	41	36
		DM(dB)	5	14	19	30	36	36

## MECHNICAL DETAILS

CONNECTION TYPE -F  
1A to 10A



NOTE:

All Dimension in mm  
 Connection type F-Fast On Terminal(6.3x0.8)  
 S-Screw (M4)