

## 3-Phase EMI FILTER

### Feature and Benefits

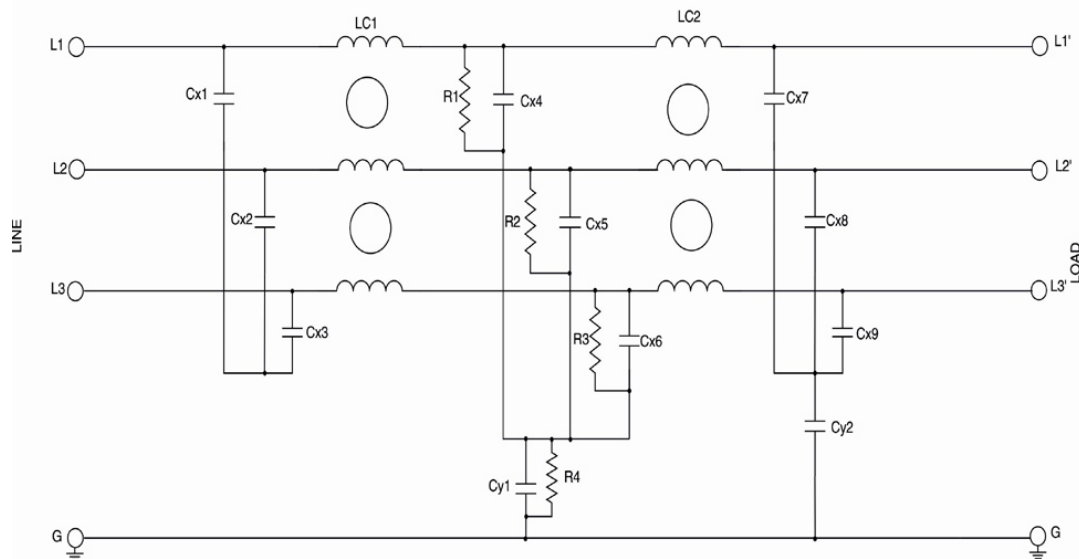
- Compact In Size.
- Superior Performance
- Dual Stage Chassis mounting 3- Phase Filter.

### Typical Application

- Three-phase variable speed motor drives, servo drives, inverters and converters
- Applications comprising energy conversion devices like machines or process automation equipment
- HVAC equipment, elevators, power supplies, UPS and further three-phase applications



### Typical circuit Diagram



### Technical Specifications:

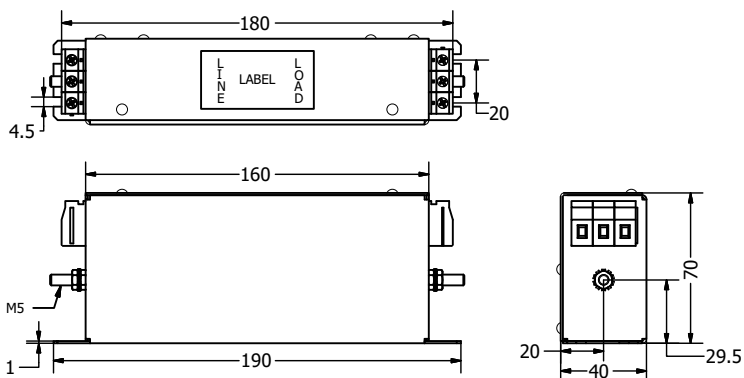
Maximum Continuous Operating Voltage	: 440/520VAC
Operating Frequency	: 50/60 Hz
Current ratings	: 3A to 200A @ 40°C
High Potential test voltage	: L to G 3000Vdc for 1 Minute L to L 1100Vdc for 1 Minute
Overload Capability	: 135% of Rated current for 15 minutes
Temperature range	: -25°C to +85°C
Climatic Category	: 25/85/21

## FILTER SELECTION TABLE

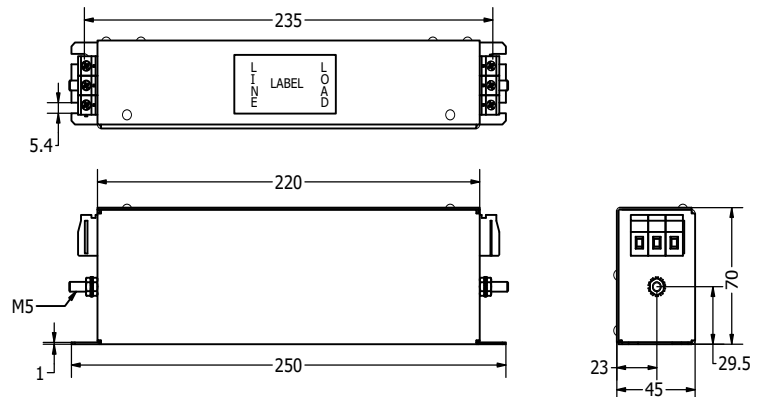
Model Number	Leakage current (mA)	Rated Current @40°C	Termination	Weight (Kg)
BL4233-3-T	8.5	3A	4	0.6
BL4233-6-T	8.5	6A	4	0.7
BL4233-8-T	8.5	8A	4	2
BL4233-10-T	8.5	10A	4	2
BL4233-16-T	8.5	16A	4	3
BL4233-20-T	8.5	20A	4	3
BL4233-25-T	8.5	25A	4	3
BL4233-36-T	8.5	36A	10	3
BL4233-50-T	8.5	50A	10	3
BL4233-60-T	12	60A	16	8
BL4233-75-T	12	75A	16	8
BL4233-80-T	12	80A*	25	8
BL4233-100-T	12	100A*	25	8
BL4233-125-T	12	125A*	M10	9
BL4233-150-T	12	150A*	M10	9
BL4233-160-T	12	160A	M10	9
BL4233-200-T	12	200A	M10	9

## MECHANICAL DETAILS

7 Amp Terminal block (10mm<sup>2</sup>)

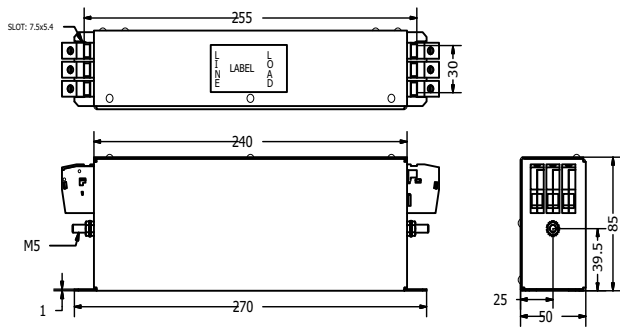


16 Amp Terminal block (10mm<sup>2</sup>)

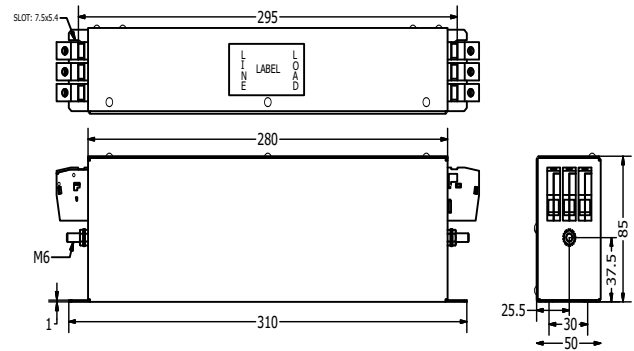


## MECHANICAL DETAILS

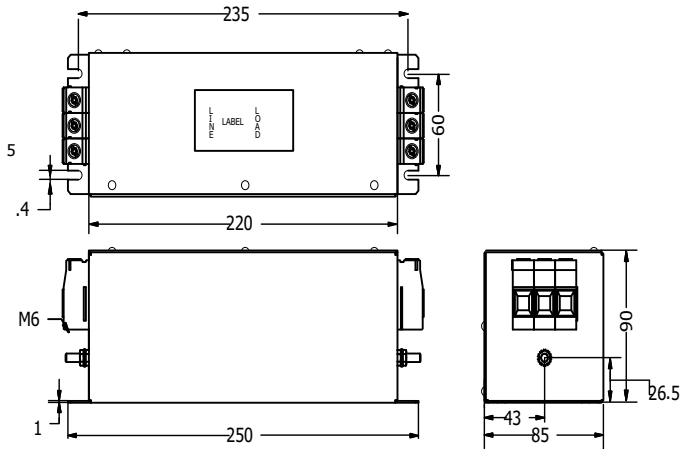
### 30 Amp Terminal block (10mm<sup>2</sup>)



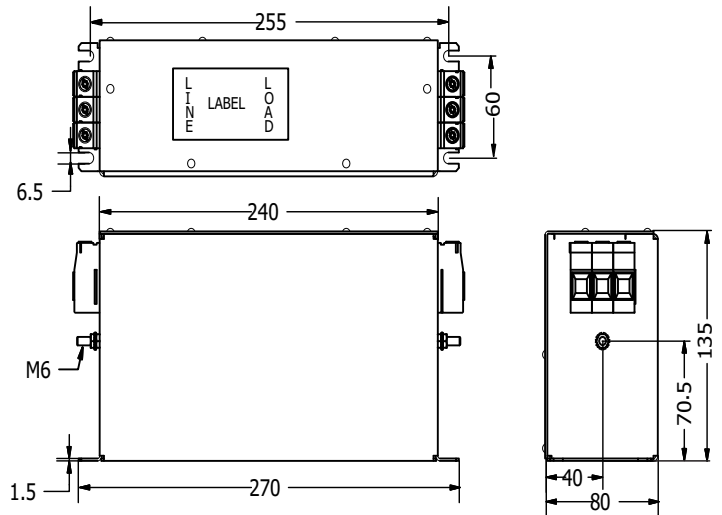
### 42 Amp Terminal block (10mm<sup>2</sup>)



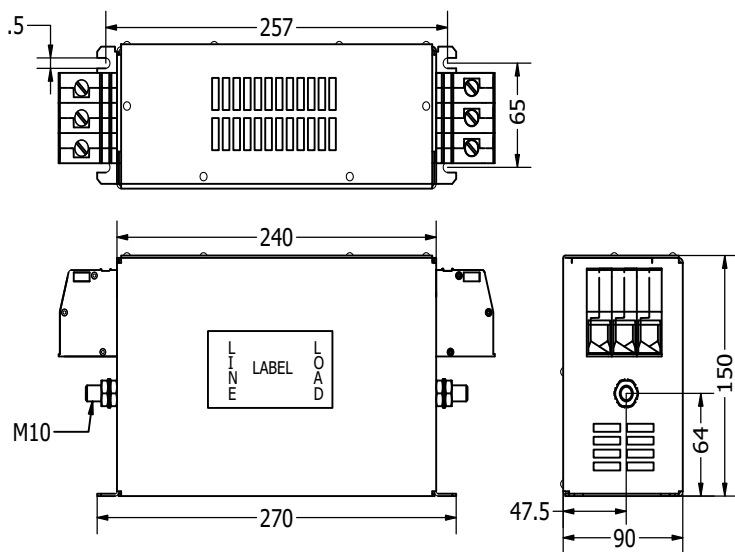
### 55 Amp Terminal block (25mm<sup>2</sup>)



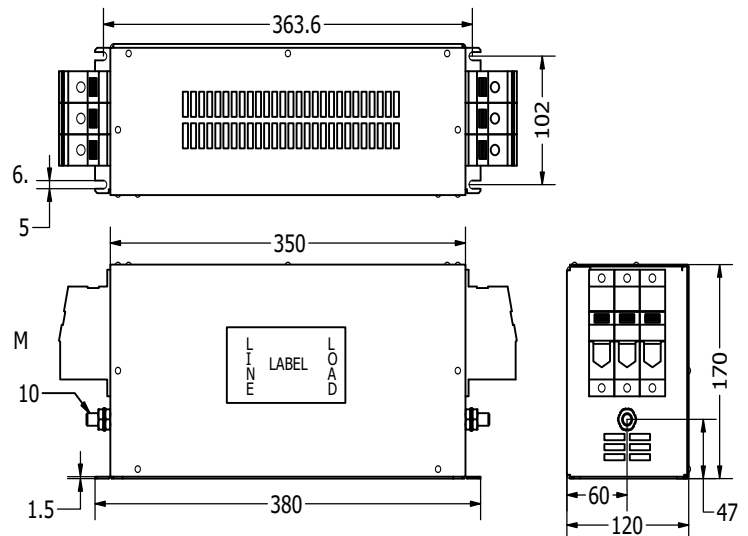
### 75 Amp Terminal block (25mm<sup>2</sup>)



### 100 & 130 Amp Terminal block (50mm<sup>2</sup>)



### 200 Amp Terminal block (95mm<sup>2</sup>)



\*\*All Dimension are in mm

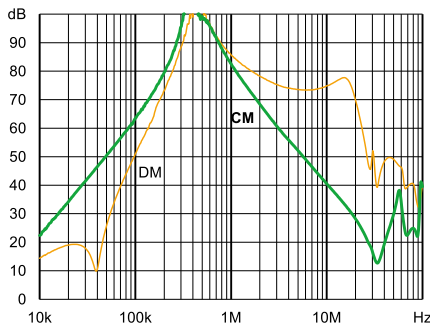
## CONNECTION DETAILS

	4	10	16	25
Wire Section (mm <sup>2</sup> )	4mm <sup>2</sup>	10mm <sup>2</sup>	16mm <sup>2</sup>	25mm <sup>2</sup>

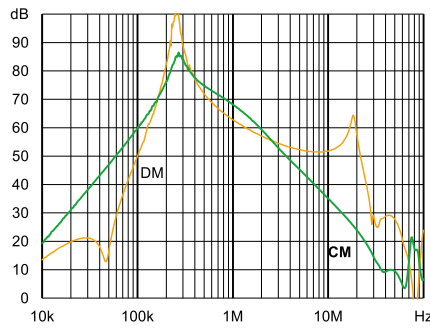
## TYPICAL INSERTION LOSS, dB (50/50 Ohm)

Insertion Loss: Common mode - —  
Differential mode- —

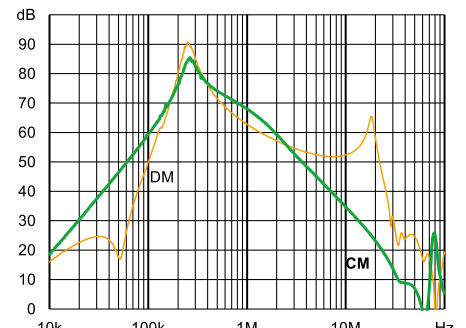
7 A type



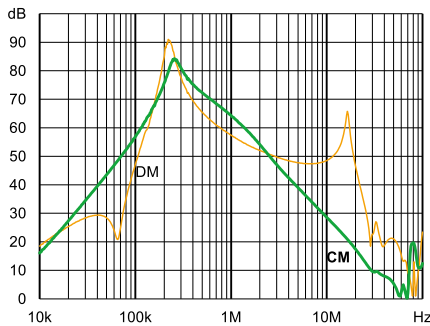
16 A type



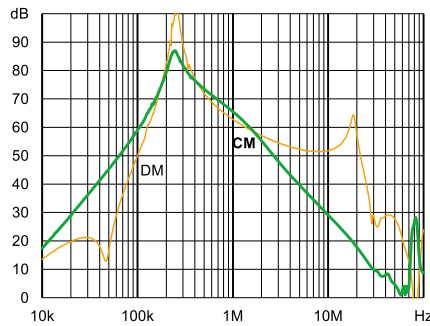
30 A type



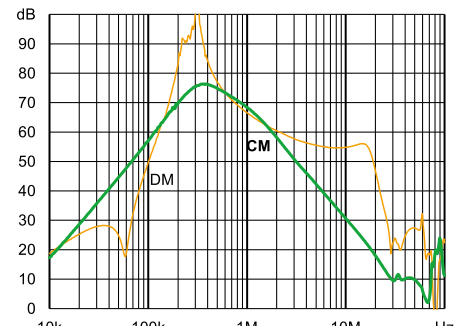
42 A type



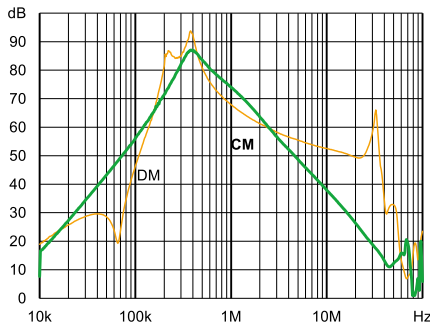
55 A type



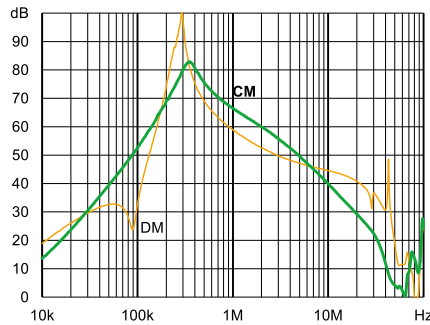
75 A type



100 A type



130 A type



200A type

