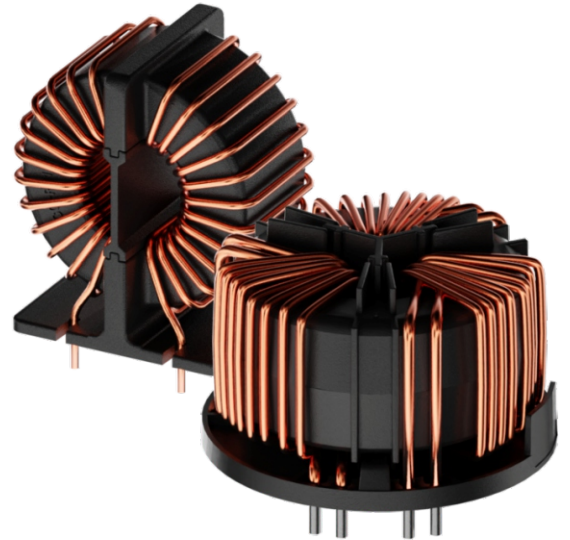


CURRENT COMPANSATED COMMON MODE CHOKE

Feature and Benefits

- Cost-effective PCB designs for up to 100 A with forced cooling *
- EIS (elektrical insulation system) for currents > 20A
- Compact size and light weight
- Low magnetic leakage flux
- Excellent winding insulation
- Standar sized foot print
- Broad range of inductance ratings
- Custom-specific versions on request



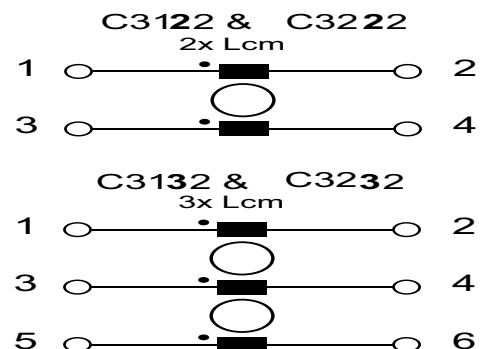
Technical Details

Rated currents	6 to 63 A @ 60°C
Rated inductance	0.3 to 6 mH (3-line) 0.5 to 10 mH (2-line)
Stray inductance	Max. 1% of rated inductance (@ 100 kHz 1 V, 0 A)
High potential test voltage	3 kV DC 3s (coil to coil) Repetition with max. 80% of the HV test voltage
Temperature range (operation and storage)	-40°C to +100°C (6 to 20 A) / -40°C to +125°C (25 to 63 A)
Climatic category	40/100/56 (acc. IEC 60068-1) (6 to 20 A) / 40/125/56 (acc. IEC 60068-1) (25 to 63 A)
Design corresponding to	UL/IEC 60938-1/-2 UL1446 (>20A)
Overvoltage category	III (acc. IEC 60664-1)
Creepage and clearance distances	Creepage & Clearance (2-line): ≥ 3.5 mm (Coil - Coil) / ≥ 3.0 mm (Coil-Core) Creepage & Clearance (3-line): ≥ 6.3 mm (Coil - Coil) / ≥ 5.5 mm (Coil-Core)
Pollution degree	PD2 (acc. IEC60664-1)
Altitude	2000 m, current and voltage derating above
Vibration and shock	3M4 (according IEC 60721-3-3)
MTBF	>2'000'000 h (MIL-HDBK-217)
Operating voltage	600 VAC (3-line) 300 VAC/425 VDC (2-line)
Operating frequency	DC to 400 Hz

Typical Application

- AC and DC filtering for midsize power range drives, photovoltaic inverters, fast chargers, EV charging stations, UPS and switch mode power supplies
- Filter with low leakage current noise or improved immunity against grid disturbances
- Electronic devices, automation and (industrial) LED lighting
- Communication devices
- Medical and laboratory Equipment
- Converters

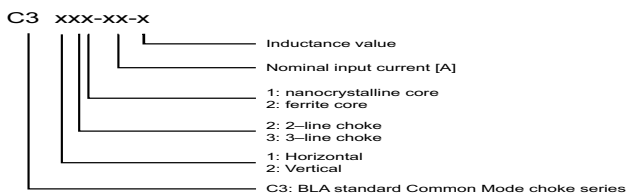
Typical electrical schematic



TECHNICAL SPECIFICATION

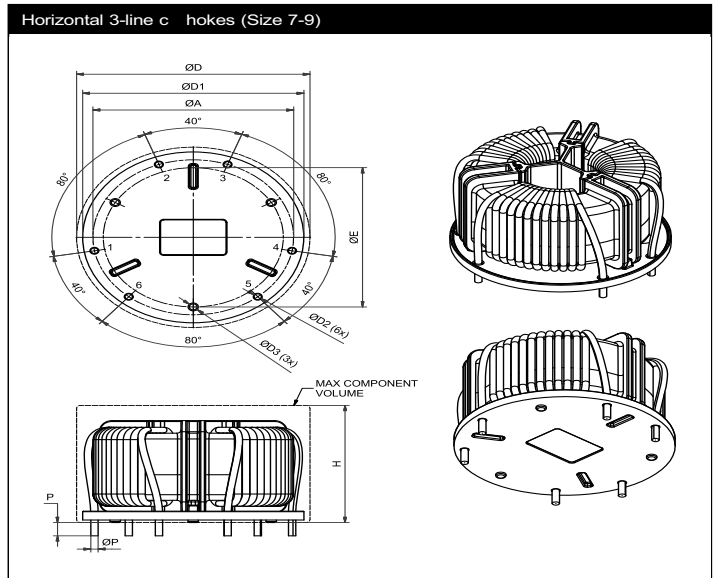
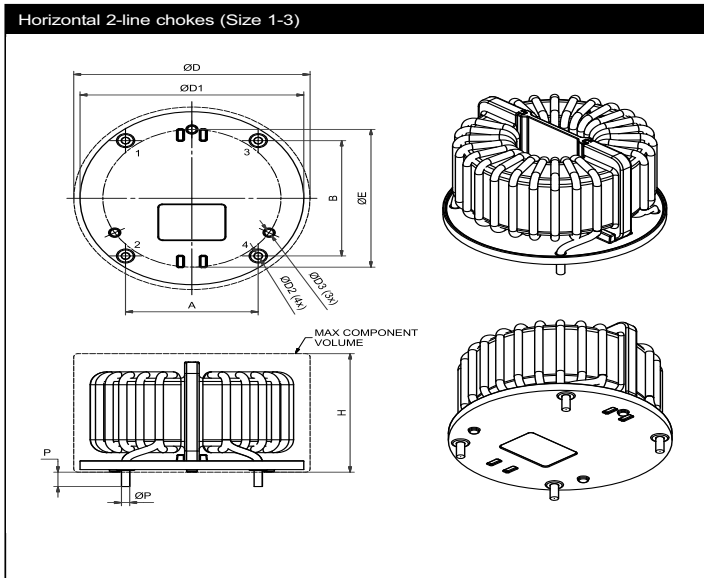
CHOKES Selection table	Convection	*Forced cooling	Inductance	Resistance	Choke	***Ø Pin	Weight
	cooling nominal	3 m/s nominal	Ln @ 25°C	R @ 25°C			
	current @ 60°C	current @ 60°C	100kHz			±0.1	
	[A]	[A]	[mH/path]	[mΩ/path]	[size]	ØP [mm]	[g]
C3122-6-10.0	6	9.5	10.0	33.0	1	1.1	80
C3122-8-8.0	8	12.5	8.0	21.0	1	1.3	80
C3122-10-6.0	10	16	6.0	16.0	1	1.4	80
C3122-12-5.0	12	19	5.0	14.0	2	1.5	100
C3122-16-4.0	16	27	4.0	10.0	2	1.8	110
C3122-20-3.0	20	32	3.0	7.0	3	2	160
C3122-32-1.5	32	51	1.5	3.4	13	2.36	200
C3122-40-1.2	40	64	1.2	2.2	13	2.8	210
C3122-50-1.0	50	80	1.0	1.7	14	2x2.2	270
C3122-63-0.5	63	100	0.5	1.1	14	2x2.36	260
C3222-6-10.0	6	9.5	10.0	33.0	4	1.1	70
C3222-8-8.0	8	12.5	8.0	21.0	4	1.3	80
C3222-10-6.0	10	16	6.0	16.0	4	1.4	80
C3222-12-5.0	12	19	5.0	14.0	5	1.5	90
C3222-16-4.0	16	27	4.0	10.0	5	1.8	110
C3222-20-3.0	20	32	3.0	7.0	6	2.0	150
C3222-32-1.5	32	51	1.5	3.4	15	2.36	210
C3222-40-1.2	40	64	1.2	2.2	15	2.8	220
C3222-50-1.0	50	80	1.0	1.7	16	2x2.2	280
C3222-63-0.5	63	100	0.5	1.0	16	2x2.36	270
C3132-6-6.0	6	9.5	6.0	27.0	7	1.1	80
C3132-8-4.8	8	12.5	4.8	17.0	7	1.3	90
C3132-10-4.0	10	16	4.0	15.0	8	1.5	110
C3132-12-3.6	12	19	3.6	12.0	8	1.6	120
C3132-16-3.0	16	27	3.0	8.0	9	1.8	170
C3132-20-2.5	20	32	2.5	7.0	9	2.1	190
C3132-25-1.5	25	40	1.5	3.5	17	2.4	240
C3132-32-1.2	32	51	1.2	2.5	17	2.4	240
C3132-40-0.7	40	64	0.7	1.9	18	2x1.9	270
C3132-50-0.5	50	80	0.5	1.2	18	2x2.2	290
C3132-63-0.3	63	100	0.3	0.7	18	2x2.6	300
C3232-6-6.0	6	9.5	6.0	27.0	10	1.1	90
C3232-8-4.8	8	12.5	4.8	17.0	10	1.3	90
C3232-10-4.0	10	16	4.0	15.0	11	1.5	110
C3232-12-3.6	12	19	3.6	12.0	11	1.6	120
C3232-16-3.0	16	27	3.0	8.0	12	1.8	160
C3232-20-2.5	20	32	2.5	7.0	12	2.1	190
C3232-25-1.5	25	40	1.5	3.5	19	2.4	250
C3232-32-1.2	32	51	1.2	2.5	19	2.4	250
C3232-40-0.7	40	64	0.7	1.9	20	2x1.9	290
C3232-50-0.5	50	80	0.5	1.2	20	2x2.2	290
C3232-63-0.3	63	100	0.3	0.8	20	2x2.6	310

Product selector



MECHANICAL DETAILS

Mechanical Data: Horizontal Chokes (2-line And 3-line Up To Size 12)



Dimensions

Size1 (C3122-6-10.0, C3122-8-8.0, C3122-10-6.0)

Size2 (C3122-12-5.0, C3122-16-4.0)

Size3 (C3122-20-3.0)

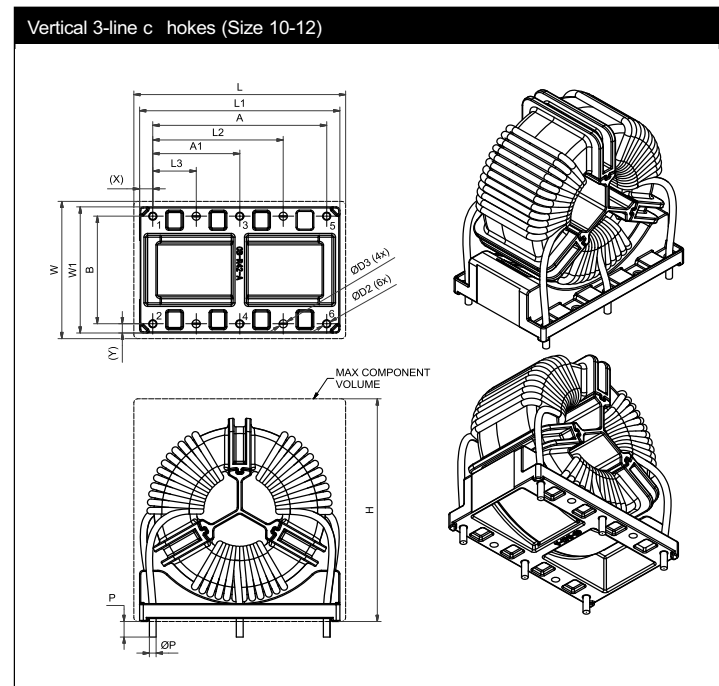
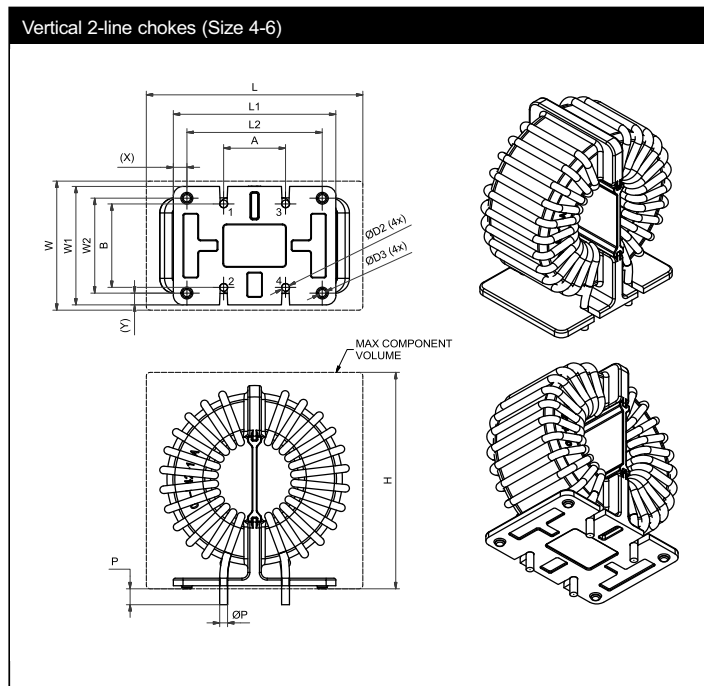
Size 7 (C3132-6-6.0, C3132-8-4.8)

Size 8 (C3132-10-4.0, C3132-12-3.6)

Size 9 (C3132-16-3.0, C3132-20-2.5)

A	B	ØD	H	ØD1	ØD2	ØD3	ØE
(±0.5)	(±0.5)	(max)		(±0.5)			
21	25	45	34	42	1.5	2.5	36
26	30	51	33	48	1.9	2.5	40
32	36	57	37	54	2.1	2.5	43
38	-	46	34	43	1.4	2.5	35
44	-	51	33	48	1.7	2.5	40
49	-	57	37	54	2.3	2.5	44

Mechanical Data: Vertical Chokes (2-line And 3-line Up To Size 12)



Dimensions

Size 4 (C3222-6-10.0, C3222-8-8.0)

Size 5 (C3222-12-5.0, C3222-16-4.0)

Size 6 (C3222-20-3.0)

Size 10 (C3232-6-6.0, C3232-8-4.8)

Size 11 (C3232-10-4.0, C3232-12-3.6)

Size 12 (C3232-16-3.0, C3232-20-2.5)

A	A1	B	L	W	H	L1	L2	L3	W1	W2	ØD2	ØD3	X	Y
(±0.5)	(±0.5)	(±0.5)	(.ax)	(max)	(max)	(±0.5)	(±0.5)		(±0.5)	(±0.5)				
16	-	20	43	32	44	32	26	-	27.8	22	1.5	2.5	3	2.9
16	-	22	50	32	52	39	33	-	27	23	1.9	2.5	3	2
16	-	22	56	32	57	42	35	-	31.2	25	2.1	2.5	3.5	3.1
36	18	24	44	32	47	41	27	9	29	-	1.4	1.4	2.5	2.5
38	19	24	49	34	53	46	28.5	9.5	31	-	1.7	1.7	4	3.5
46	23	29	56	37	60	53	34.5	11.5	34	-	2.2	2.2	3.5	2.5

All dimensions in mm