

## DIFFERENTIAL MODE CHOKE



### Feature and Benefits

- High Current Toroidal Inductors (HCTI) Available from 1A to 25A Current Rating .
- Solid base for stable vertical mounting
- Fixed pin spacing for easy PCB insertion
- Wide range of inductance and current
- Single layer wound coils
- High current capacity
- Compact In Design & high Performance.

### Technical Details

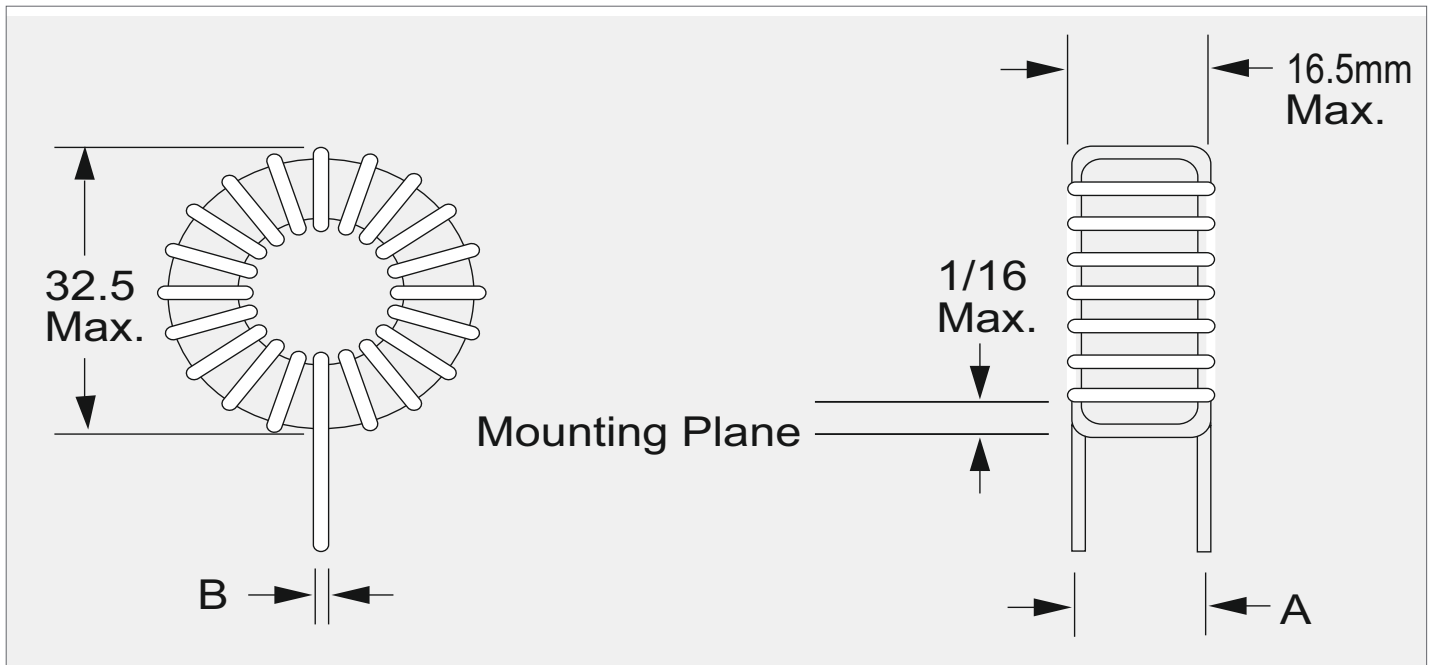
- Rated voltage:  $U \leq 250V$  for Single phase OR 520V For 3phase
- Short circuit: Uk 4% (230VAC/50Hz)
- Frequency: 50/60 Hz
- According to: EN 60289 / EN 61558
- Test voltage: L-PE 2500 V, DC 1min
- Insulation class: T40/F
- Protection rating: IP00
- Climatic categorie: DIN IEC 60068-1

Design: mounted on footprint

### Typical Application

- SMPS Energy Storage Inductors
- Electrical and electronic equipment
- Consumer goods
- EV Application, Conveyor technology, Ventilation and air conditioning
- Medical equipment, Power supplies
- Electronic data processing equipment
- Very Noisy Application high performance Filter
- Motor drive and VFD, Automation
- LCD Panels, Computers, Monitors, DC-DC Converters, EV Charging

MECHANICAL DETAILS



Notes:

1. Dimensions are in mm
2. Current causing 30 °C max temperature rise
3. Operating Temperature Range of -55 to +105 °C
4. Leads tinned to within 1/16 of an inch above Mounting Plane
5. Lead Length of 12.5 mm

TECHNICAL SPECIFICATION

Part Number	L(u H)±15%@ 1KHz	L(u H)±15%@ I-rated	DCResistanceΩ MAX	I-ratedDC CurrentAmps	DimensionA(mm)Nominal	DimensionB (mm)Nominal
DM-10-20.0	10	6.7	0.005	20	14.224	1.6764
DM-12-19.1	12	7.8	0.005	19.1	14.224	1.6764
DM-15-18.0	15	9.5	0.006	18	14.224	1.6764
DM-18-17.2	18	11.1	0.006	17.2	14.224	1.6764
DM-22-16.4	22	13.2	0.007	16.4	14.224	1.6764
DM-27-15.6	27	15.7	0.008	15.6	14.224	1.6764
DM-33-11.7	33	21.3	0.013	11.7	13.462	1.3462
DM-39-11.2	39	24.7	0.014	11.2	13.462	1.3462
DM-47-10.7	47	29	0.016	10.7	13.462	1.3462
DM-56-10.2	56	33.7	0.017	10.2	13.462	1.3462
DM-68-7.7	68	45.2	0.03	7.7	13.208	1.0668
DM-100-7.0	100	63.1	0.037	7	13.208	1.0668
DM-120-6.7	120	73.9	0.04	6.7	13.208	1.0668
DM-150-5.0	150	101.4	0.071	5	12.954	0.8636
DM-180-4.8	180	118.9	0.078	4.8	12.954	0.8636
DM-220-5.8	220	123.8	0.054	5.8	14.224	1.0668
DM-270-5.5	270	147.2	0.06	5.5	14.224	1.0668
DM-330-5.2	330	174.1	0.067	5.2	14.224	1.0668
DM-390-5.0	390	200.2	0.072	5	14.224	1.0668
DM-470-3.8	470	271.4	0.13	3.8	13.716	0.8636
DM-560-3.6	560	314.8	0.14	3.6	13.716	0.8636
DM-680-3.4	680	370.7	0.15	3.4	13.716	0.8636
DM-820-2.6	820	500.9	0.27	2.6	13.462	0.6858
DM-1000-2.4	1000	593.6	0.3	2.4	13.462	0.6858