

## COMMON MODE CHOKE

### Feature and Benefits

- Available from 1A to 25A Current Rating in single,3phase as well.
- Solid base for stable vertical mounting
- Fixed pin spacing for easy PCB insertion
- Wide range of inductance and current
- Single layer wound coils
- High current capacity
- Compact In Design & high Performance.



### Technical Details

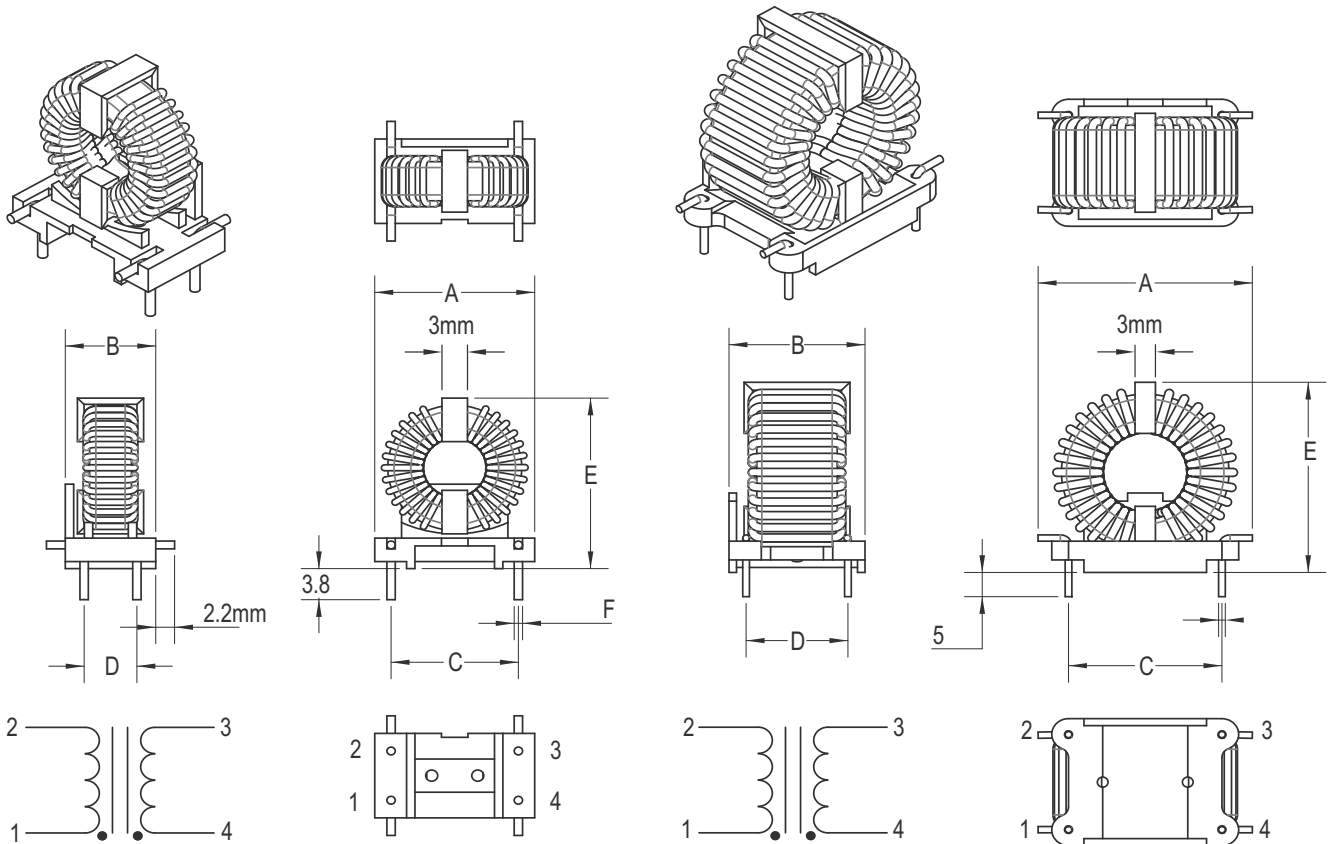
- Rated voltage:  $U \leq 250V$  for Single phase OR 520V For 3phase
- Short circuit: Uk 4% (230VAC/50Hz)
- Frequency: 50/60 Hz
- According to: EN 60289 / EN 61558
- Test voltage: L-PE 2500 V, DC 1min
- Insulation class: T40/F
- Protection rating: IP00
- Climatic categorie: DIN IEC 60068-1

Design: mounted on footprint

### Typical Application

- EMI/RFI Filtering for SMPS
- Electrical and electronic equipment
- Consumer goods
- EV Application, Conveyor technology, Ventilation and air conditioning
- Medical equipment, Power supplies
- Electronic data processing equipment
- Very Noisy Application high performance Filter
- Motor drive and VFD, Automation
- LCD Panels, Computers, Monitors, DC-DC Converters, EV Charging

## MECHANICAL DETAILS



CMC-4-1.7 to CMC-1-4.8

CMC-10-2.4 to CMC-1-25

## TECHNICAL SPECIFICATION

Part No.	I (A) Max.	L (mH) Min. @ 1KHz	L (μH) Typical Leakage	DCR (Ω) Max.	Dimension A±0.1	Dimension B ±0.1	Dimension C ±0.1	Dimension D ±0.1	Dimension E Max.	Dimension F Max.
CMC-4-1.7	1.7	4	27	0.173	19.4818	0.455 max	15.24	6.35	22.86	1.016
CMC-30-2	2	30	136	0.33	34.29	20.701	22.86	15.24	36.83	1.27
CMC-50-2.3	2.3	50	230	0.45	39.37	20.701	22.86	15.24	41.91	1.27
CMC-2.5-2.4	2.4	2.5	17	0.09	19.304	0.455 max	15.24	6.35	22.86	1.016
CMC-10-2.5	2.5	10	45	0.17	30.48	15.3924	20.32	10.16	30.48	1.27
CMC-7-2.8	2.8	7	32	0.12	30.48	15.3924	20.32	10.16	30.48	1.27
CMC-20-2.9	2.9	20	95	0.21	34.29	20.701	22.86	15.24	36.83	1.27
CMC-36-3	3	36	167	0.3	39.37	20.701	22.86	15.24	41.91	1.27
CMC-5-3.7	3.7	5	23	0.07	30.48	15.3924	20.32	10.16	30.48	1.27
CMC-12-4	4	12	57	0.11	34.29	20.701	22.86	15.24	36.83	1.27
CMC-1-4.8	4.8	1	7	0.022	19.304	0.455 max	15.24	6.35	22.86	1.016
CMC-8-5.6	5.6	8	38	0.055	34.29	20.701	22.86	15.24	36.83	1.27
CMC-2-6.6	6.6	2	9	0.022	30.48	15.3924	20.32	10.16	30.48	1.27
CMC-5-8.9	8.9	5	25	0.022	36.83	20.701	22.86	15.24	38.1	1.0922
CMC-7.3-9.3	9.3	7.3	30.5	0.032	41.91	20.701	22.86	15.24	41.91	1.0922
CMC-1-10	10	1	4.5	0.01	30.48	15.3924	20.32	10.16	30.48	1.27
CMC-2.5-12.5	12.5	2.5	12.5	0.011	36.83	20.701	22.86	15.24	38.1	1.3462
CMC-4-14.5	14.5	4	16	0.012	43.18	23.2918	30.48	17.78	41.91	1.524
CMC-1.2-16	16	1.2	6	0.006	38.1	20.701	22.86	15.24	38.862	1.524
CMC-2.4-20	20	2.4	9.6	0.008	43.18	23.2918	30.48	17.78	41.91	1.7018
CMC-1-25	25	1	4	0.007	43.18	23.2918	30.48	17.78	41.91	1.7018