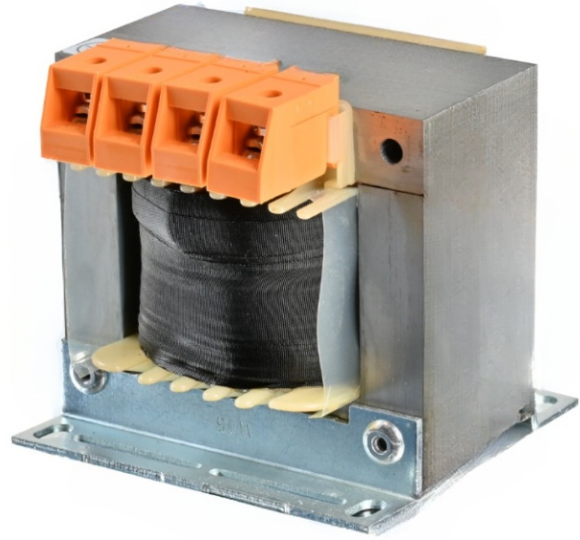


Single-phase line reactors R1N

LINE REACTORS FOR SINGLE - PHASE SUPPLIES - uk8%

- ✦ Current ratings 7A up to 32A
- ✦ Limitation of harmonics
- ✦ Suitable for unchoked compensation systems
- ✦ Enhancement of the interference immunity
- ✦ Reduction of voltage drops and current peaks
- ✦ Suitable for line - operating motors



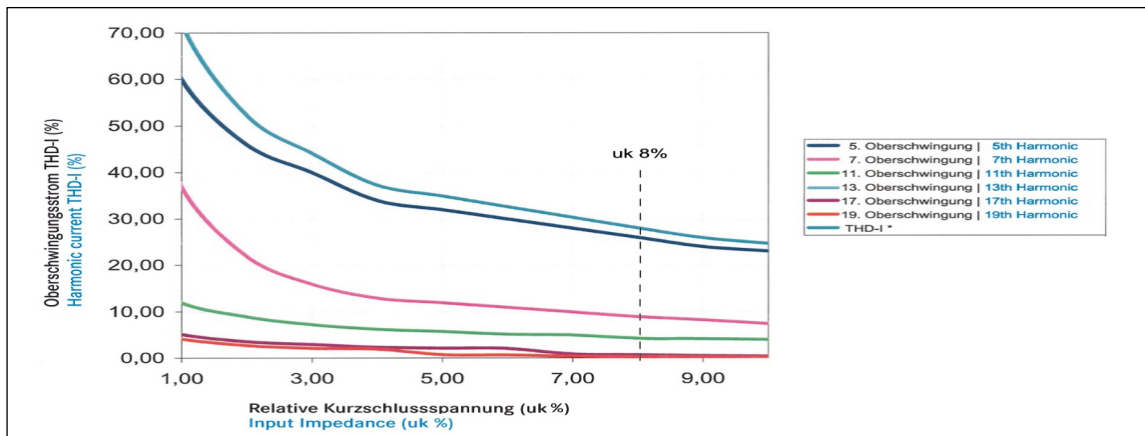
Electrical & Mechanical Details

Product	Nom.current(A) @230V	Electrical		Parameters		Dimensions(mm)						Connection Line- Load (mm ²)	PE Earth
		Weight(kg)	Weightcopper (kg)	Inductance(mH)	Powerloss(W)	A	B	C	D	E	F		
R1N-7	7	1,5	0,28	2x4,20	16	80	80	60	56	45	5x9	2,5	6,3mm
R1N-11	11	1,6	0,24	2x2,65	23	90	84	90	64	62	4,8x9	2,5	6,3mm
R1N-16	16	2,8	0,42	2x1,80	27	80	96	88	56	45	5x9	2,5	6,3mm
R1N-20	20	3,2	0,70	2x1,49	30	95	96	105	84	86	5,8x11	2,5	6,3mm
R1N-32	32	6,2	1,12	2x0,91	45	130	122	116	90	82	5,5x11	2,5	6,3mm

*Special solutions are available on request.

*Versions for special voltage ratings are available on request .

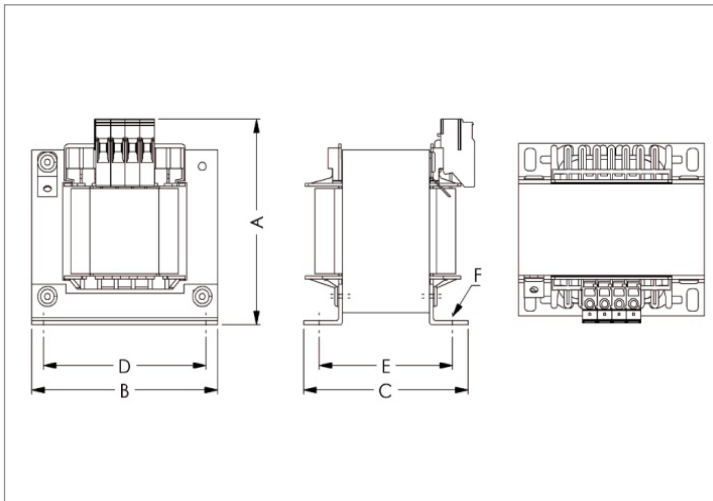
Reduction of harmonics depending on input impedance



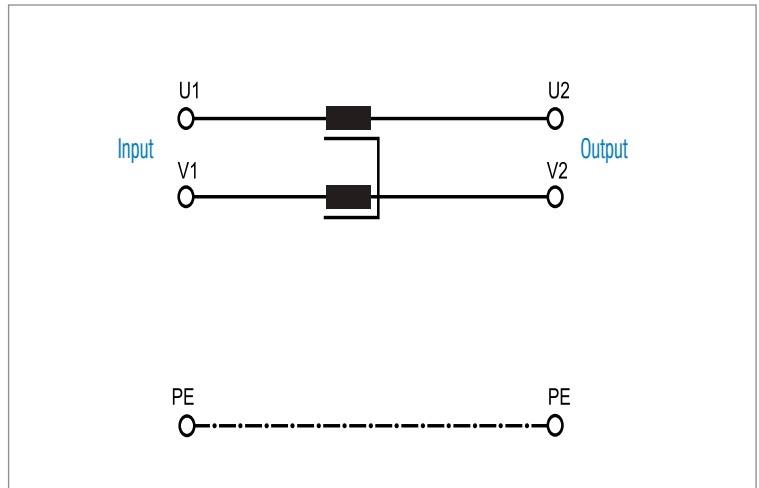
Technical specifications

Nominal voltage	230VAC(max. 250VAC, ±10%), 1-phase, -25°C upto +85°C(above +40°C with derating)
Nominal frequency	48 up to 63Hz
Nominal current	7A and 32A @40°C(seetable)
Overload capability	2times rated current at switch on, then 1.5times rated current for 1 minute, once per hour
Insulation class	T40/B(130°C)
Ambient temp.	8%
Connection	Seetable
Degree of protection	IP00(DGUVV3)
IEC-Climate category	25/85/21 (-25°C upto +85°C)
Built according to	EN61558-2-20(VDE0570), 2014/35/EU, UL1446, RoHS
Storage, transport, and operation	EN60721-3-1:1K3, EN60721-3-2:2K3, EN60721-3-3:3K3

Dimensions



Connection



Please follow the Table for Mechanical Data.