

## THREE PHASE REACTORS

### LINE REACTORS FOR THREE- PHASE SUPPLIES-uk4%

- Current ratings from 2A up to 1100A
- Limitation of harmonics
- Suitable for unchoked compensation systems
- Enhancement of the interference immunity
- Reduction of voltage drops
- Suitable for line-operating motors



### Three-phase line reactors R3N

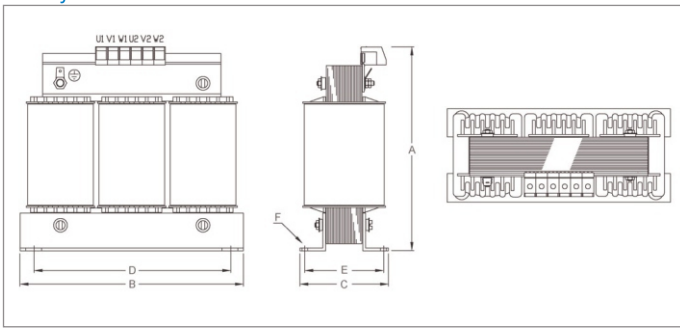
Product	Electrical & Mechanical Parameters					Dimensions (mm)						Connection   Line-Load Earth(mm <sup>2</sup> )	PE	Remarks
	Nom.current (A) @400V AC	Weight(kg)	Weight Copper(kg)	Inductance (mH)	Power Loss(mW)	A	B	C	D	E	F			
R3N-2	2	1,1	0,18	14,0	22	90	81	53	50	31	4,8x8	1,5	6,3mm	3)
R3N-4	4	1,9	0,28	7,30	23	90	81	62	50	39	4,8x8	1,5	6,3mm	3)
R3N-7	7	2,1	0,35	4,20	28	106	94	67	56	44	4,8x8	2,5	6,3mm	3)
R3N-11	11	2,9	0,38	2,60	38	126	118	80	84	57	5x10	2,5	6,3mm	3)
R3N-16	16	3,3	0,74	1,80	40	126	118	81	84	57	5x10	4	6,3mm	3)
R3N-21	21	4,2	0,94	1,40	60	147	155	85	130	59	7,5x11,5	4	M5	4)
R3N-29	29	6,0	1,2	1,00	70	147	148	95	90	69	5,5x10,5	4	M5	4)
R3N-35	35	6,8	1,7	0,84	74	167	155	109	130	71	7,5x11,5	10	M5	4)
R3N-46	46	9,3	2,0	0,64	87	195	190	110	170	67	7,5x11,5	10	M6	4)
R3N-60	60	11,0	2,5	0,49	114	195	190	120	170	77	7,5x11,5	10	M6	4)
R3N-75	75	12,4	3,4	0,39	130	227	190	145	170	76	7,5x11,5	16	M6	4)
R3N-95	95	16,0	3,5	0,30	165	260	210	150	175	95	7,5x11,5	35	M6	4)
R3N-124	124	17,4	5,2	0,23	175	265	215	170	175	95	7,5x11,5	50	M6	4)
R3N-156	156	23,5	5,9	0,19	225	290	230	200	180	121	7,5x11,5	50	M6	4)
R3N-182	182	28,0	6,1	0,16	240	307	240	206	190	124	10,5x14	95	M8	4)
R3N-230	230	32,5	7,2	0,13	310	307	240	230	190	136	10,5x14	95	M8	4)
R3N-280	280	35,0	7,9	0,10	385	390	300	230	240	126	10,5x15	150	M8	4)
R3N-330	330	41,0	8,8	0,09	445	400	300	220	240	136	10,5x15	240	M8	4)
R3N-400	400	51,0	9,5	0,07	550	400	300	300	240	156	10,5x15	240	M8	4)
R3N-500	500	55,0	4,5	0,06	650	390	420	220	370	150	10,5x15	Ø14	M10	5)
R3N-600	600	61,0	4,5	0,05	830	390	420	235	370	138	11x15	Ø14	M10	5)
R3N-670	670	62,0	5,6	0,04	880	390	420	235	370	138	11x15	Ø14	M10	5)
R3N-780	780	77,0	6,8	0,04	910	390	420	255	370	148	11x15	Ø18	M10	5)
R3N-900	900	90,0	6,8	0,03	960	390	420	270	370	161	11x15	2xØ11	M10	5)
R3N-1100	1100	95,0	9,2	0,03	1000	390	420	270	370	161	11x15	4xØ11	M10	5)

## Technical specifications

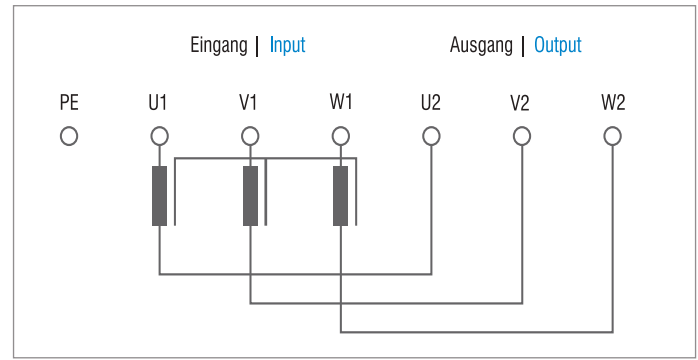
Nominal voltage	400VAC(max.480VAC,±10%),3-phase
Nominal frequency	50/60Hz
Nominal current	2Aupto1100A@40°C(seetable)
Overload capability	2time rated current at switch on,then1.5time rated current for 1minute,once per hour
Insulation class	Upto46A:T40/B(130°C),beginning from60A:T40/F(155°C)
Short circuit voltage	4%
Ambient temp.	-25°C up to+85°C(above+40°C with derating)
Connection	See table
Degree of protection	IP00(DGUVV3upto150A)
IEC-Climate category	25/100/21(-25°Cupto+100°C)
Approvals	CE,ROHS

### Dimensions

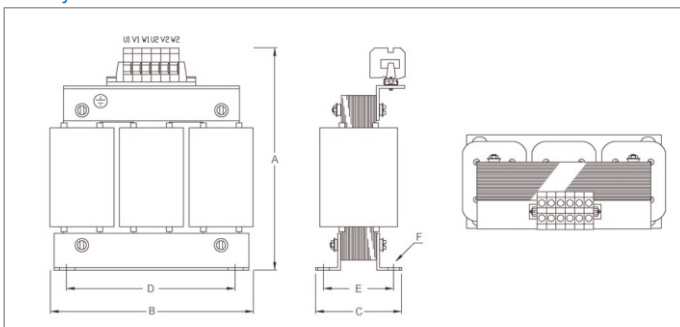
Casestyle:2A-16A



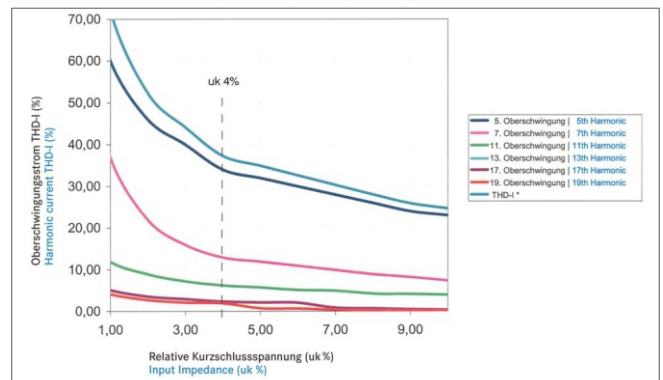
### Connection



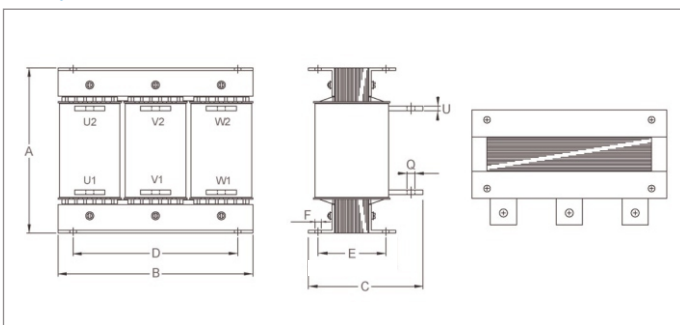
Casestyle:21A-400A



### Reduction of harmonics depending on input impedance



CasestyleC:500A-1100A



Follow the table for mechanical details.