

## Dual-Stage High Performance AC/DC EMI/EMC FILTER

### Feature and Benefits

- BL 2080 Dual-stage filters are designed for easy and fast chassis mounting.
- The BL 2080 filters are also available as B versions with no Y-capacitors for medical applications as well as A versions with low capacitance for safety critical applications with a requirement for low leakage currents.
- All filters provide a high conducted attenuation, performance, based on chokes with high saturation resistance and excellent thermal behaviour
- BL 2080 filters are also available as dual stage filters(BL 2070)
- Various terminal options allow you to select the desired connection style
- Rated current from 1 to 16 A
- High differential & Common mode performance
- Optional medical version (Type B)
- Optional safety version (Type A)

### Technical specifications

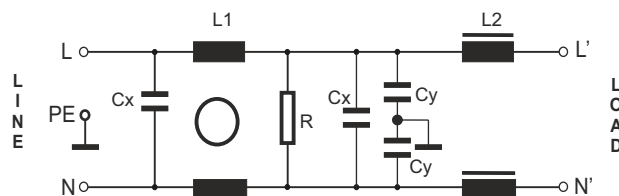
Maximum continuous operating voltage	250VAC, 50/60Hz
Operating Frequency	DC to 400Hz
Rated Currents	1 to 16A @40°C
High Potential Test voltage	L-GND 2550 VDC for 2 sec L-GND 3500 VDC for 2 sec (B types) L - N 1100 VDC for 2 sec
Temperature range (operation and storage)	-25°C to +100°C (25/100/21)
Certified to	UL 1283,EC/EN60939 (Applies to AC and DC Applications)
Flammability Corresponding to	UL 94V-2 better

### Typical Application

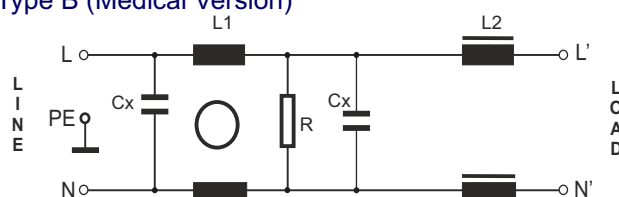
- Electrical and electronic equipment
- Consumer goods
- Household equipment
- Medical equipment
- Electronic data processing equipment
- Office automation and datacom equipment



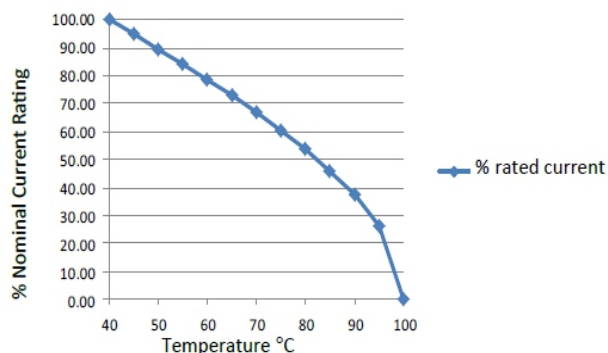
### ELECTRICAL SCHEMATIC



#### Type B (Medical Version)



Temperature Derating Curve for EMC Filters Rated at 40°C Ambient and 100°C Maximum



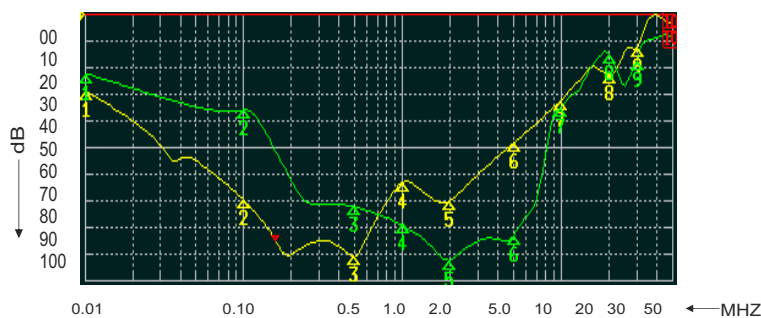
Filters**	Rated current @40°C A	Leakage current @250V/50Hz mA	Inductance (L-L) ΣL mH	Capacitance (L-N) ΣCx μF	Capacitance (L-G) ΣCy nF	Resistance (L-N) ΣR KΩ	Connetion type			Weight gram (g)
BL2080-1-X	1(1.15)	0.66	22.49	0.66	9.4	1000	F	W		210
BL2080-3-X	3(3.45)	0.66	9.96	0.94	9.4	470	F	W		270
BL2080-6-X	6(6.90)	0.66	7.91	2	9.4	220	F	W		450
BL2080-10-X	10(11.5)	0.66	4.66	2	9.4	220	F	W		750
BL2080-12-X	12(13.8)	0.66	3.75	2	9.4	220	F	W	S	750
BL2080-16-X	16(18.4)	0.66	2.483	2	9.4	220	F	W	S	1000
<b>Low Leakage Version</b>										
BL2080A-1-X	1(1.15)	0.07	22.49	0.66	0.94	1000	F	W		210
BL2080A-3-X	3(3.45)	0.07	9.96	0.94	0.94	470	F	W		270
BL2080A-6-X	6(6.90)	0.07	7.91	2	0.94	220	F	W		450
BL2080A-10-X	10(11.5)	0.07	4.66	2	0.94	220	F	W		750
BL2080A-12-X	12(13.8)	0.07	3.75	2	0.94	220	F	W	S	750
BL2080A-16-X	16(18.4)	0.07	2.483	2	0.94	220	F	W	S	1000
<b>Medical Version Without Y cap</b>										
BL2080B-1-X	1(1.15)	0.00	22.49	0.66		1000	F	W		210
BL2080B-3-X	3(3.45)	0.00	9.96	0.94		470	F	W		270
BL2080B-6-X	6(6.90)	0.00	7.91	2		220	F	W		450
BL2080B-10-X	10(11.5)	0.00	4.66	2		220	F	W		750
BL2080B-12-x	13(00.0)	0.00	3.75	2		220	F	W	S	750
BL2080B-16-X	16(18.4)	0.00	2.483	2		220	F	W	S	1000

To compile a complete part number, please replace the -.. with the required I/O connection style (e.g. BL 2080-16-S, BL 2080B-10-F). The different letters code the  
 \*\* Maximum leakage under usual AC operating conditions (acc. IEC 60939-3). Note: if the neutral line is interrupted, worst case leakage could reach twice this level.

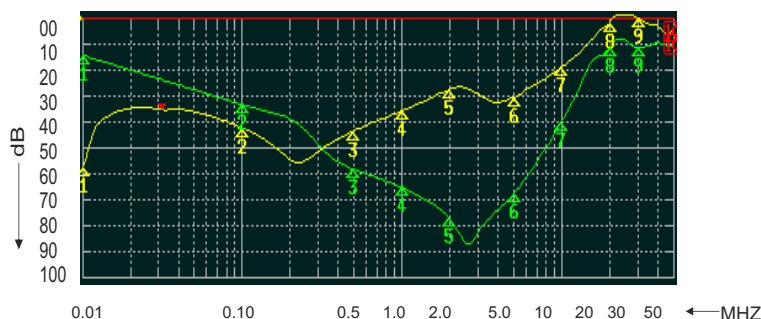
# TYPICAL INSERTION LOSS, dB (50/50 Ohm)

Insertion Loss: Common mode - —  
 Differential mode- —

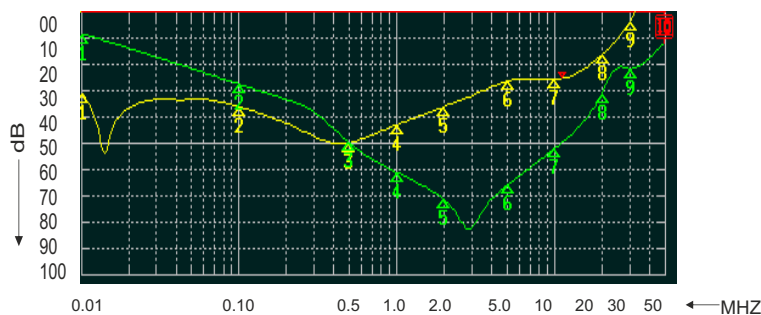
1 to 3 A



6 to 10 A

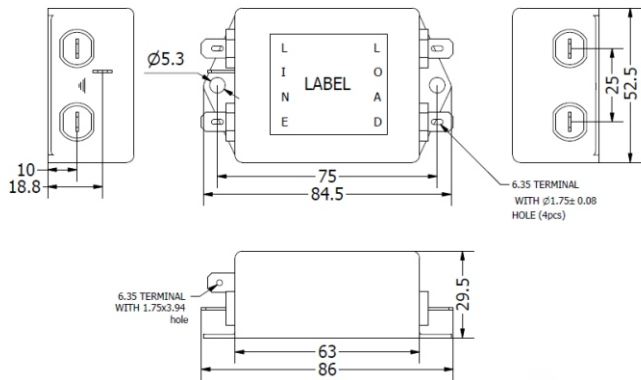


12 to 16 A

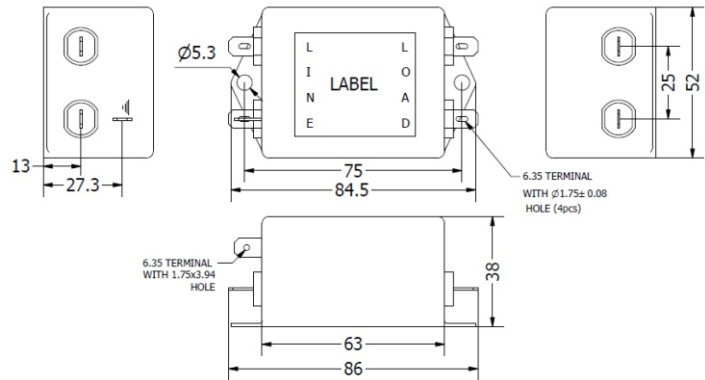


MECHANICAL DETAILS

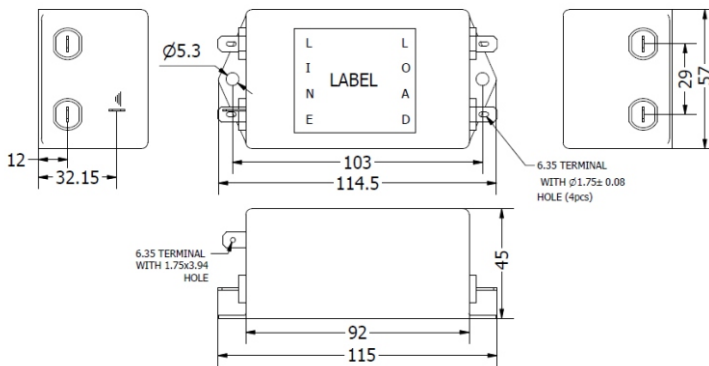
1Amp Faston Terminal



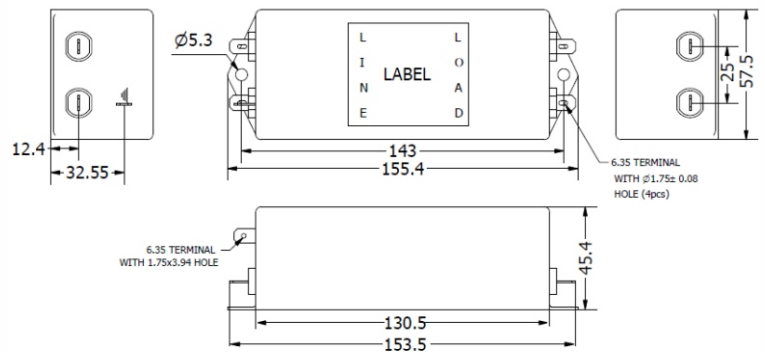
3Amp Faston Terminal



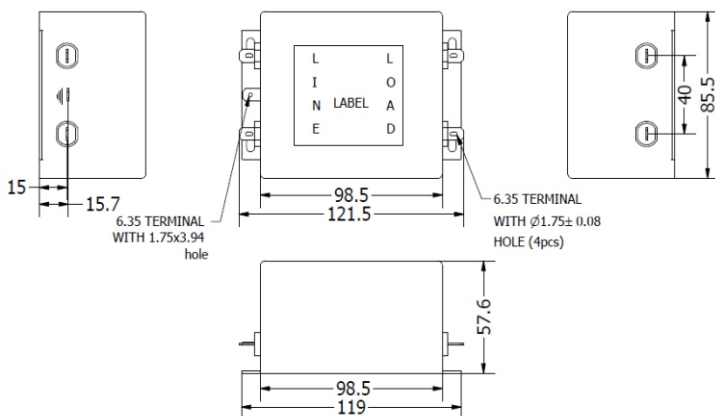
6 Amp Faston Terminal



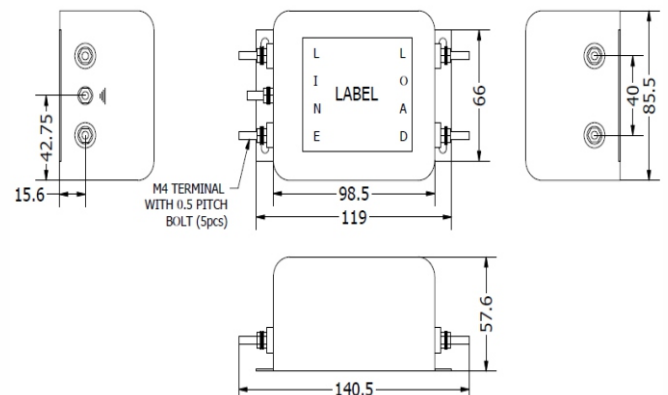
10 & 12Amp Faston Terminal



16 Amp Faston Terminal



16Amp Screw Terminal (M4)



\*\*All Dimension are in mm