

Dual-Stage General Performance AC/DC EMI FILTER

Feature and Benefits

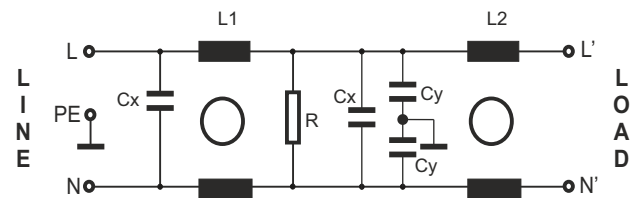
- BL 2060 Dual-stage filters are designed for easy and fast chassis mounting.
- The BL 2060 filters are also available as B versions with no Y-capacitors for medical applications as well as A versions with low capacitance for safety critical applications with a requirement for low leakage currents.
- The BL 2060 Filter can be use to cover broad range of uses and they can offer a good size/amperages ratio
- BL 2060 filters are also available as Single stage filters (BL 2010 Series)
- Various terminal options allow you to select the desired connection style
- Rated current from 1 to 20 A
- High deferential mode performance
- Optional medical version (Type B)
- Optional safety version (Type A)



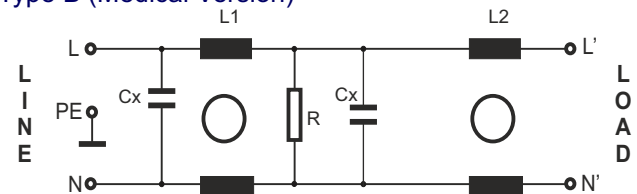
Technical specifications

Maximum continuous operating voltage	250VAC, 50/60Hz
Operating Frequency	DC to 400Hz
Rated Currents	1 to 20A @40°C
High Potential Test voltage	L-GND 2550 VDC for 2 sec L-GND 3500 VDC for 2 sec (B types) L - N 1100 VDC for 2 sec
Temperature range (operation and storage)	-25°C to +100°C (25/100/21)
Certified to	UL 1283,EC/EN60939 (Applies to AC and DC Applications)
Flammability Corresponding to	UL 94V-2 better

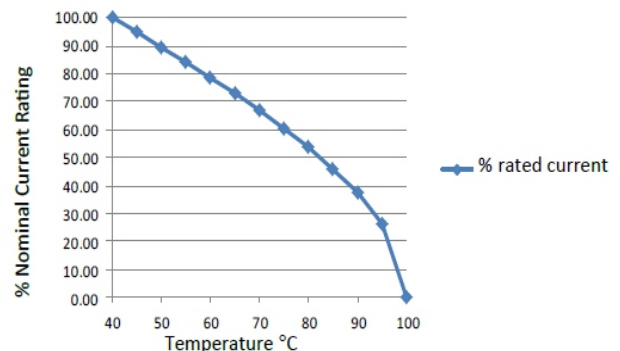
ELECTRICAL SCHEMATIC



Type B (Medical Version)

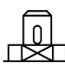




Temperature Derating Curve for EMC Filters Rated at 40°C Ambient and 100°C Maximum



Typical Application

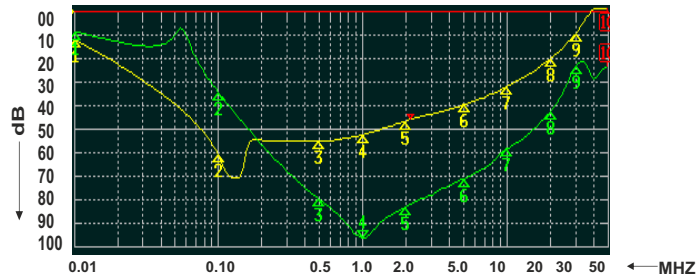
- Electrical and electronic equipment
- Consumer goods/Industrial Application
- Machinery & Building Automation
- Medical equipment
- Electronic data processing equipment
- Office automation and datacom equipment
- Vending Machine

Filters**	Rated current @40°C (25°C)	Leakage current @250V/50Hz	Inductance (L-L) ΣL mH	Capacitanc e(L-N) ΣCx μF	Capacitance (L-G) ΣCy nF	Resistance (L-N) ΣR KΩ	Connexion type			Weight
	A	mA								gram (g)
BL2060-1-X	1(1.15)	0.66	24	0.44	9.4	1000	F	W		120
BL2060-3-X	3(3.45)	0.66	5	0.44	9.4	1000	F	W		120
BL2060-6-X	6(6.90)	0.66	1.94	0.44	9.4	1000	F	W		120
BL2060-10-X	10(11.5)	0.66	1.6	0.94	9.4	470	F	W		210
BL2060-12-X	12(13.8)	0.66	1.16	0.94	9.4	470	F	W		210
BL2060-16-X	16(18.4)	0.66	1.3	0.66	9.4	1000	F	W	S	250
BL2060-20-X	20(23.0)	0.66	1.2	2.00	9.4	220	F		S	480
Low Leakage Version										
BL2060A-1-X	1(1.15)	0.07	24	0.44	0.94	1000	F	W		120
BL2060A-3-X	3(3.45)	0.07	5	0.44	0.94	1000	F	W		120
BL2060A-6-X	6(6.90)	0.07	1.94	0.44	0.94	1000	F	W		120
BL2060A-10-X	10(11.5)	0.07	1.6	0.94	0.94	470	F	W		210
BL2060A-12-X	12(13.8)	0.07	1.16	0.94	0.94	470	F	W		210
BL2060A-16-X	16(18.4)	0.07	1.3	0.66	0.94	1000	F	W	S	250
BL2060A-20-X	20(23.0)	0.07	1.2	2.00	0.94	220	F		S	480
Medical Version Without Y cap										
BL2060B-1-X	1(1.15)	0.002	24	0.44		1000	F	W		120
BL2060B-3-X	3(3.45)	0.002	5	0.44		1000	F	W		120
BL2060B-6-X	6(6.90)	0.002	1.94	0.44		1000	F	W		120
BL2060B-10-X	10(11.5)	0.002	1.6	0.94		470	F	W		210
BL2060B-12-x	13(00.0)	0.002	1.16	0.94		470	F	W		210
BL2060B-16-X	16(18.4)	0.002	1.3	0.66		1000	F	W	S	250
BL2060B-20-X	20(23.0)	0.002	1.2	2.00		220	F		S	480

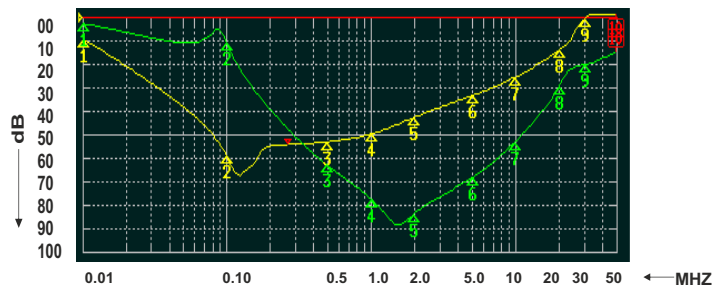
To compile a complete part number, please replace the -.. with the required I/O connection style (e.g. BL 2060-16-S, BL 2060B-10-F). The different letters code the
 ** Maximum leakage under usual AC operating conditions (acc. IEC 60939-3). Note: if the neutral line is interrupted, worst case leakage could reach twice this level.

TYPICAL INSERTION LOSS, dB (50/50 Ohm)

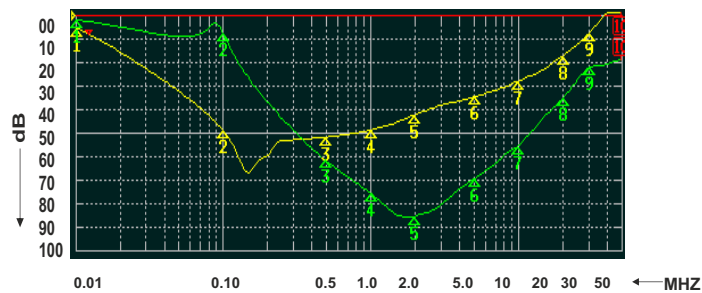
Insertion Loss: Common mode - —
 Differential mode- —
 1 to 3 A



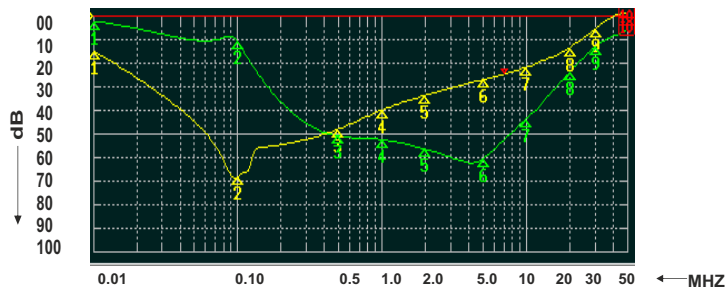
6 to 10 A



12 to 16 A

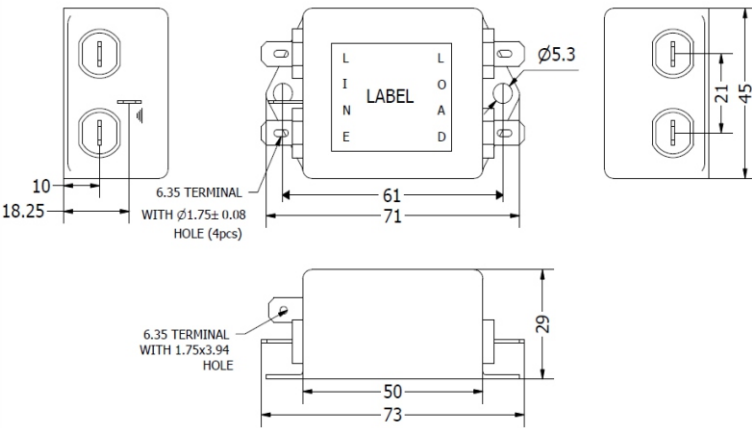


20A to 30 A

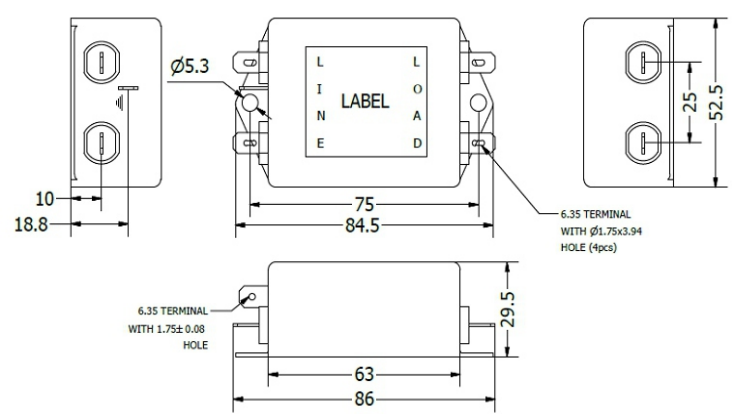


MECHNICAL DETAILS

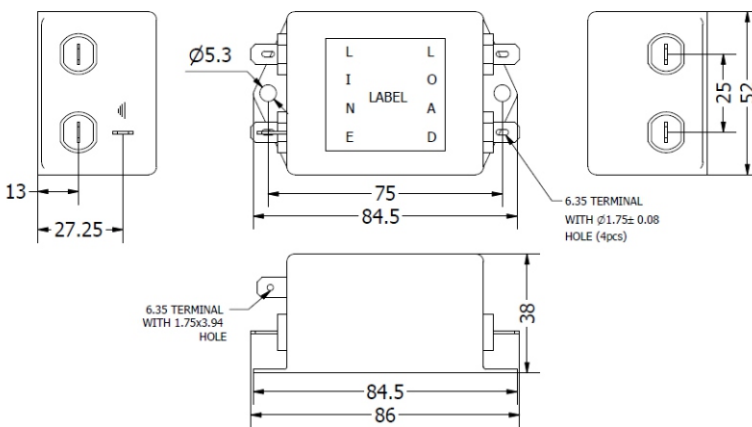
1 To 6 Amp



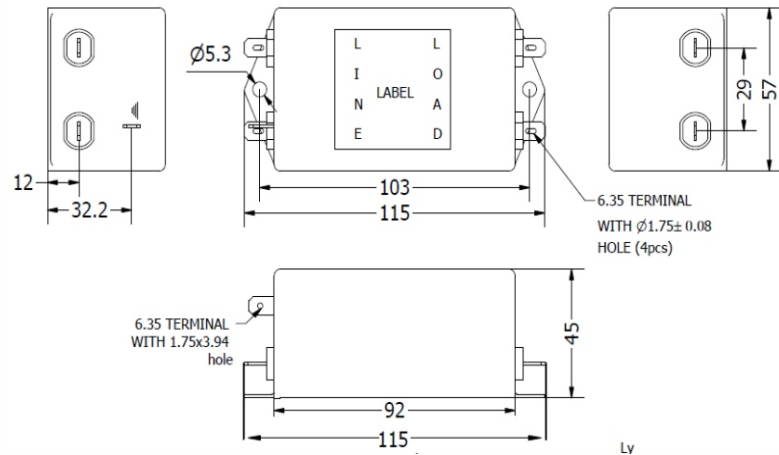
10 & 12 Amp Faston Terminal



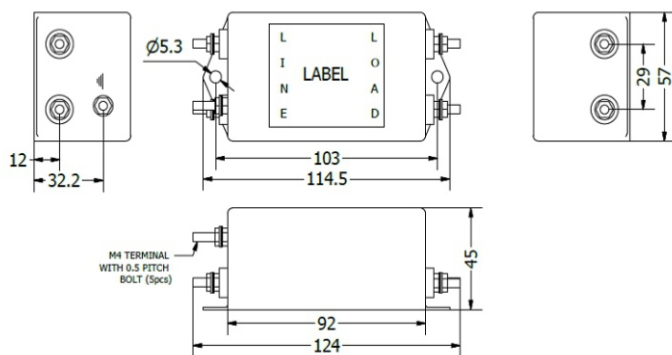
16 Amp Faston Terminal



20 Amp Faston Terminal



20 Amp Screw Terminal(M4)



**All Dimension are in mm