

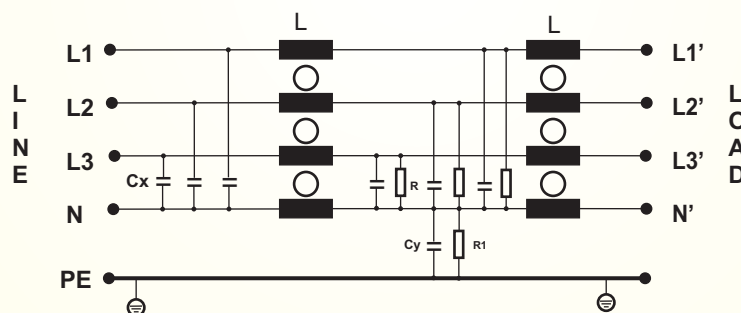
Three-Phase+ Neutral Filters BLASC280-XXX-X

Three phase+Neutral Filter for industrial machinery/equipment with high-end terminal



- 8A to 600A current ratings
- Most compact size
- Insulated safety input terminals
- Exceptional attenuation performance from 150KHz to 30MHz
- Excellent saturation resistance up 50 meter cable length

CIRCUIT DIAGRAM:



Technical Specification

Max Rated Voltage 3x 520/300 VAC

Operating Frequency DC to 50/60Hz

Rated Current 8A to 600A @50°C

High Voltage Test -

L-L 2250VDC 2sec

L-G 2750VDC 2sec

Temperature Range -25 to +100°C(25/100/21)

Applications:

- Power Control Equipment for Power Distribution Lines
- Industrial Equipment Vulnerable to Transients on the AC Power Line (Computers, Traffic Controls, Motor Controllers, Etc.)
- Renewable energy application and high power office equipments.
- Ideal for application where computers are used to process secret or confidential information
- For the purpose of protecting against electrical surges and spikes, including those caused by lightning.
- Designed for frequency inverter and variable speed motor drives
- For small to medium sized industrial equipment, power converter and variable speed motor

Features:

- Trouble free installation due to ultra compact design of filter
- Solid connector terminals available for whole range
- Designed for universal applications

Benefits:

- Eliminates Dangerous Voltage Transients.
- Lowers Overall System Costs by Reducing Downtime and Maintenance Costs.
- Improves Component and System Reliability.
- Reduces EMP/RFI Interference.

FILTERS SELECTION TABLE

| SN | PART NO | RATED CURRENT @50°C A | LEAKAGE CURRENT 480V/50Hz mA | MECHANICAL DIMENSION L X W X H (mm) | CONNECTION TYPE |
|----|----------------|-----------------------------|------------------------------------|---|--------------------|
| 1 | BLASC280-08-T | 8 | 1.0 | 120 X 143 X 80 | TERMINAL |
| 2 | BLASC280-16-T | 16 | 1.0 | 120 X143 X 80 | TERMINAL |
| 3 | BLASC280-25-T | 25 | 1.0 | 130 X 153 X 115 | TERMINAL |
| 4 | BLASC280-36-T | 36 | 1.0 | 130 X 153 X 115 | TERMINAL |
| 5 | BLASC258-64-T | 64 | 1.0 | 150 X 153 X 125 | TERMINAL |
| 6 | BLASC280-80-T | 80 | 1.0 | 230 X 163 X 125 | TERMINAL |
| 7 | BLASC280-120-T | 120 | 1.0 | 250 X 170 X 140 | TERMINAL |
| 8 | BLASC280-160-T | 160 | 1.0 | 280 X170 X 170 | TERMINAL |
| 9 | BLASC280-200-T | 200 | 1.0 | 280 X 170 X 170 | TERMINAL |
| 10 | BLASC280-300-B | 300 | 1.0 | 325 X 220X 150 | BUSBAR |
| 11 | BLASC280-400-B | 400 | 1.0 | 325 X 220 X 150 | BUSBAR |
| 12 | BLASC280-600-B | 600 | 1.0 | 325 X 220 X 150 | BUSBAR |

Large range of power ratings allow to select convenient filter selection

BLASC280-XXX-X Filters provide a very high common and differential mode attenuation

Insulated, high quality safety terminals for input and output contribute over all equipment safety

Suitable to meet the latest EMC standards

Excellent performance for application with high interference level

Remark

** Input and output connection available in Terminal and BUSBAR type

*** Wire size also available as per customer requirement

INSERTION LOSS(dB)

8A

| | | | |
|-----|-----|----|----|
| MHZ | 0.1 | 1 | 10 |
| CM | 66 | 77 | 45 |
| DM | 51 | 59 | 41 |

25A

| | | | |
|-----|-----|----|----|
| MHZ | 0.1 | 1 | 10 |
| CM | 64 | 78 | 44 |
| DM | 54 | 60 | 41 |

64A

| | | | |
|-----|-----|----|----|
| MHZ | 0.1 | 1 | 10 |
| CM | 36 | 69 | 41 |
| DM | 33 | 55 | 39 |

120A

| | | | |
|-----|-----|----|----|
| MHZ | 0.1 | 1 | 10 |
| CM | 36 | 66 | 40 |
| DM | 33 | 51 | 39 |

200A

| | | | |
|-----|-----|----|----|
| MHZ | 0.1 | 1 | 10 |
| CM | 42 | 47 | 38 |
| DM | 30 | 35 | 39 |

400A

| | | | |
|-----|-----|----|----|
| MHZ | 0.1 | 1 | 10 |
| CM | 55 | 47 | 27 |
| DM | 59 | 46 | 21 |

16A

| | | | |
|-----|-----|----|----|
| MHZ | 0.1 | 1 | 10 |
| CM | 62 | 80 | 40 |
| DM | 49 | 68 | 39 |

36A

| | | | |
|-----|-----|----|----|
| MHZ | 0.1 | 1 | 10 |
| CM | 55 | 74 | 39 |
| DM | 41 | 61 | 31 |

80A

| | | | |
|-----|-----|----|----|
| MHZ | 0.1 | 1 | 10 |
| CM | 37 | 65 | 44 |
| DM | 31 | 49 | 38 |

160A

| | | | |
|-----|-----|----|----|
| MHZ | 0.1 | 1 | 10 |
| CM | 41 | 45 | 39 |
| DM | 29 | 38 | 36 |

300A

| | | | |
|-----|-----|----|----|
| MHZ | 0.1 | 1 | 10 |
| CM | 51 | 48 | 29 |
| DM | 61 | 45 | 26 |

600

| | | | |
|-----|-----|----|----|
| MHZ | 0.1 | 1 | 10 |
| CM | 49 | 48 | 30 |
| DM | 61 | 45 | 20 |

CORPORATE OFFICE AND MANUFACTURING UNIT

**BLA ETECH PVT LTD
A-42
WAZIRPUR INDUSTRIAL AREA
NEW DELHI-110052
INDIA**



CONTACT DETAIL

WEB- www.blaetech.com

Email- info@blaetech.com

TEL- +91-11-47483290

Mob-+91-9899197050