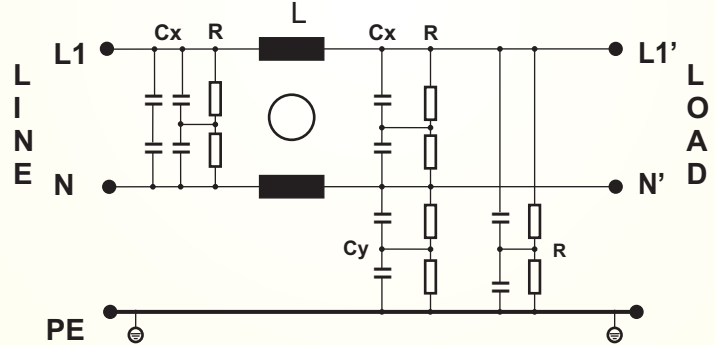


BLA ETECH PVT. LTD.
EMC, EMI FILTER & POWER SOLUTION

Single-Phase Filters BLASB200-XXX-X

DC EMC/EMI Filter for PV Inverter

CIRCUIT DIAGRAM:



- 25 to 2300A current ratings.
- Insulated safety input terminals.
- Reduces the probability of EMI radiation off the solar panel.
- Helps to meet international EMC regulation for the entire PV system.
- Helps to prevent pre-mature panel ageing because of High Frequency leakage current.

Technical Specification

Max Rated Voltage Max. 1200VDC

Operating Frequency DC

Rated Current 25A to 2300A @55°C

High Voltage Test -

L-L 3000VDC for 5sec

L-G 3600VDC for 5sec

Temperature Range -40°C to +100°C

Applications:

- Power Control Equipment for Power Distribution Lines
- Industrial Equipment Vulnerable to Transients on the DC Line (UPS ,DC Motors ,DC Drives ,DC quick charges, Etc.)
- Communications systems and other heavy-duty industrial systems,
- Ideal for application where computers are used to process secret or confidential information
- For the purpose of protecting against electrical surges and spikes, including those caused by lightning.
- Designed for PV inverter and DC motor drives
- For small to medium sized industrial equipment ,used in DC applications.

Features:

- Very high attenuation
- Low leakage current
- Designed for universal applications

Benefits:

- Eliminates Dangerous Voltage Transients.
- Lowers Overall System Costs by Reducing Downtime and Maintenance Costs.
- Improves Component and System Reliability.
- Reduces EMP/RFI Interference.

FILTERS SELECTION TABLE

SN	PART NO	RATED CURRENT @40°C A	AC POWER RATING (KW)	MECHANICAL DIMENSION L X W X H (mm)	CONNECTION TYPE
1	BLASB200-25-T	25	10	170 X80 X65	TERMINAL
2	BLASB200-50-T	50	20	200X 95 X 80	TERMINAL
3	BLASB200-75-T	75	30	200 X 95X80	TERMINAL
4	BLASB200-100-T	100	40	220X125X95	TERMINAL
5	BLASB200-150-T	150	60	250X140X115	TERMINAL
6	BLASB200-250-B	250	100	300X180X110	BUSBAR
7	BLASB200-400-B	400	150	300X190X110	BUSBAR
8	BLASB200-600-B	600	250	300X190X110	BUSBAR
9	BLASB200-800-B	800	350	300X200X140	BUSBAR
10	BLASB200-1000-B	1000	400	300X200X140	BUSBAR
11	BLASB200-1500-B	1500	500	300X200X150	BUSBAR
12	BLASB200-2300-B	2300	800/1000	400X250X180	BUSBAR

Large range of power ratings allow to select convenient filter selection

BLASB200-XXX-X Filters provide a very high common and differential mode attenuation

Insulated, high quality safety terminals for input and output contribute over all equipment safety

Suitable to meet the latest EMC standards

Excellent performance for application with high interference level

Remark

**** Input and output connection available in Terminal and wire type**

***** Wire size also available as per customer requirement**

INSERTION LOSS(dB)

25A

MHZ	0.1	0.5	1	5	10
CM	60	73	78	59	50
DM	44	78	75	62	60

75A

MHZ	0.1	.0.5	1	5	10
CM	60	75	79	57	51
DM	45	79	76	63	63

150A

MHZ	0.1	0.5	1	5	10
CM	60	79	62	50	40
DM	54	78	60	51	48

400A

MHZ	0.1	0.5	1	5	10
CM	56	59	49	38	30
DM	50	48	40	32	28

800A

MHZ	0.1	0.5	1	5	10
CM	57	61	51	39	31
DM	49	50	42	33	29

1500A

MHZ	0.1	0.5	1	5	10
CM	55	61	53	41	29
DM	49	48	41	31	29

50A

MHZ	0.1	0.5	1	5	10
CM	61	75	77	60	52
DM	46	78	73	64	62

100A

MHZ	0.1	0.5	1	5	10
CM	58	78	61	49	39
DM	53	79	58	49	46

250A

MHZ	0.1	0.5	1	5	10
CM	53	60	51	39	30
DM	48	50	40	29	25

600A

MHZ	0.1	0.5	1	5	10
CM	58	60	50	38	29
DM	52	50	41	31	30

1000A

MHZ	0.1	0.5	1	5	10
CM	57	62	50	39	29
DM	51	47	42	34	26

2300A

MHZ	0.1	0.5	1	5	10
CM	58	62	52	38	32
DM	52	48	44	35	31

CORPORATE OFFICE AND MANUFACTURING UNIT

**BLA ETECH PVT LTD
A-42
WAZIRPUR INDUSTRIAL AREA
NEW DELHI-110052
INDIA**



CONTACT DETAIL

WEB- www.blaetech.com

Email- info@blaetech.com

TEL- +91-11-47483290

Mob-+91-9899197050