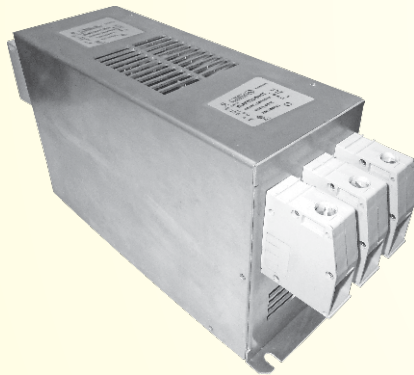


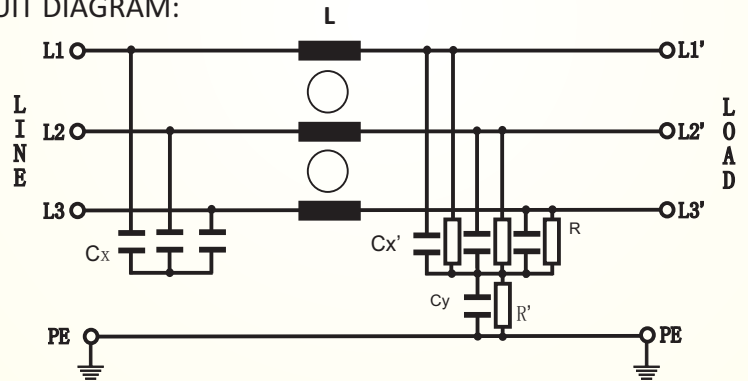
Three-Phase Filters BLASC258-XXX-T

EMC/EMI Filter For Three phase & Motor Drives With exceptional attenuation performance



- 7A to 180A current ratings
- Most compact size
- Insulated safety input terminals
- Exceptional attenuation performance from 150KHz to 30MHz
- Excellent saturation resistance up to 50 meter cable length

CIRCUIT DIAGRAM:



Technical Specification

Max Rated Voltage 3x 480VAC

Operating Frequency DC to 50/60Hz

Rated Current 7A to 180A @50°C

High Voltage Test -

L-L 2100VDC 2sec

L-G 2650VDC 2sec

Temperature Range -25 to +100°C(25/100/21)

Applications:

- Power Control Equipment for Power Distribution Lines
- Industrial Equipment Vulnerable to Transients on the AC Power Line (Computers, Traffic Controls, Motor Controllers, Etc.)
- Communications systems and other heavy-duty industrial systems,
- Ideal for application where computers are used to process secret or confidential information
- For the purpose of protecting against electrical surges and spikes, including those caused by lightning.
- Designed for frequency inverter and variable speed motor drives
- For small to medium sized industrial equipment, power converter and variable speed motor

Features:

- Trouble free installation due to ultra compact design of filter
- Solid connector terminals available for the whole range
- Designed for universal applications

Benefits:

- Eliminates Dangerous Voltage Transients.
- Lowers Overall System Costs by Reducing Downtime and Maintenance Costs.
- Improves Component and System Reliability.
- Reduces EMP/RFI Interference.

FILTERS SELECTION TABLE

| SN | PART NO | RATED CURRENT @50°C A | LEAKAGE CURRENT 400V/50Hz mA | MECHANICAL DIMENSION L X W X H (mm) | CONNECTION TYPE |
|----|----------------|-----------------------------|------------------------------------|---|--------------------|
| 1 | BLASC258-07-T | 7 | 33.0 | 190 X 40 X 70 | TERMINAL |
| 2 | BLASC258-16-T | 16 | 33.0 | 250 X 45 X 70 | TERMINAL |
| 3 | BLASC258-30-T | 30 | 33.0 | 270 X 50 X 85 | TERMINAL |
| 4 | BLASC258-42-T | 42 | 33.0 | 310 X 50 X 85 | TERMINAL |
| 5 | BLASC258-55-T | 55 | 33.0 | 250 X 85 X 90 | TERMINAL |
| 6 | BLASC258-75-T | 75 | 33.0 | 270 X 80 X 135 | TERMINAL |
| 7 | BLASC258-100-T | 100 | 33.0 | 270 X 90 X 150 | TERMINAL |
| 8 | BLASC258-130-T | 130 | 33.0 | 270 X 90 X 150 | TERMINAL |
| 9 | BLASC258-180-T | 180 | 33.0 | 380 X 120 X 170 | TERMINAL |

Large range of power ratings allow to select convenient filter selection

BLASC258-XXX-T Filters provide a very high common and differential mode attenuation

Insulated, high quality safety terminals for input and output contribute over all equipment safety

Suitable to meet the latest EMC standards

Excellent performance for application with high interference level

Remark

**** Input and output connection available in Terminal and wire type**

***** Wire size also available as per customer requirement**

INSERTION LOSS(dB)

7A

| | | | |
|-----|-----|----|----|
| MHZ | 0.1 | 1 | 10 |
| CM | 63 | 76 | 42 |
| DM | 59 | 69 | 38 |

16A

| | | | |
|-----|-----|----|----|
| MHZ | 0.1 | 1 | 10 |
| CM | 68 | 75 | 36 |
| DM | 54 | 71 | 42 |

30A

| | | | |
|-----|-----|----|----|
| MHZ | 0.1 | 1 | 10 |
| CM | 60 | 78 | 41 |
| DM | 54 | 71 | 46 |

42A

| | | | |
|-----|-----|----|----|
| MHZ | 0.1 | 1 | 10 |
| CM | 62 | 79 | 39 |
| DM | 51 | 73 | 42 |

55A

| | | | |
|-----|-----|----|----|
| MHZ | 0.1 | 1 | 10 |
| CM | 57 | 69 | 47 |
| DM | 51 | 61 | 44 |

75A

| | | | |
|-----|-----|----|----|
| MHZ | 0.1 | 1 | 10 |
| CM | 61 | 71 | 39 |
| DM | 50 | 65 | 41 |

100A

| | | | |
|-----|-----|----|----|
| MHZ | 0.1 | 1 | 10 |
| CM | 49 | 68 | 45 |
| DM | 42 | 59 | 40 |

130A

| | | | |
|-----|-----|----|----|
| MHZ | 0.1 | 1 | 10 |
| CM | 47 | 68 | 38 |
| DM | 41 | 64 | 39 |

180A

| | | | |
|-----|-----|----|----|
| MHZ | 0.1 | 1 | 10 |
| CM | 44 | 72 | 35 |
| DM | 32 | 63 | 37 |

CORPORATE OFFICE AND MANUFACTURING UNIT

**BLA ETECH PVT LTD
A-42
WAZIRPUR INDUSTRIAL AREA
NEW DELHI-110052
INDIA**



CONTACT DETAIL

WEB- www.blaetech.com

Email- info@blaetech.com

TEL- +91-11-47483290

Mob-+91-9899197050